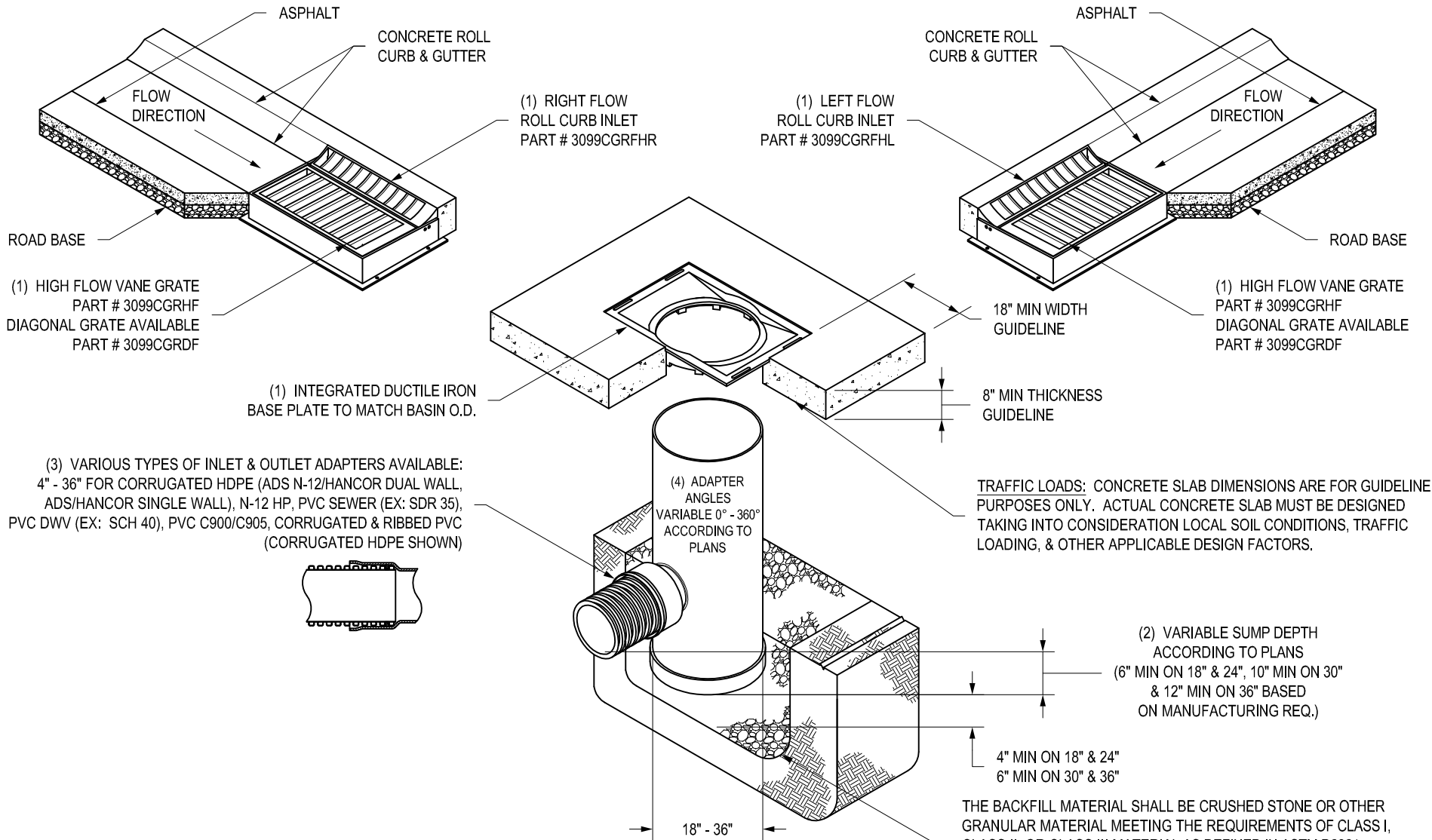


NYLOPLAST 2' X 3' ROLL CURB INLET STRUCTURE



TRAFFIC LOADS: CONCRETE SLAB DIMENSIONS ARE FOR GUIDELINE PURPOSES ONLY. ACTUAL CONCRETE SLAB MUST BE DESIGNED TAKING INTO CONSIDERATION LOCAL SOIL CONDITIONS, TRAFFIC LOADING, & OTHER APPLICABLE DESIGN FACTORS.

(2) VARIABLE SUMP DEPTH ACCORDING TO PLANS
 (6" MIN ON 18" & 24", 10" MIN ON 30" & 12" MIN ON 36" BASED ON MANUFACTURING REQ.)

THE BACKFILL MATERIAL SHALL BE CRUSHED STONE OR OTHER GRANULAR MATERIAL MEETING THE REQUIREMENTS OF CLASS I, CLASS II, OR CLASS III MATERIAL AS DEFINED IN ASTM D2321. BEDDING & BACKFILL FOR SURFACE DRAINAGE INLETS SHALL BE PLACED & COMPACTED UNIFORMLY IN ACCORDANCE WITH ASTM D2321.

- 1 - 18" - 30" GRATES, FRAMES, HOODS, & BASE PLATES SHALL BE DUCTILE IRON PER ASTM A536 GRADE 70-50-05.
- 2 - DRAIN BASIN TO BE CUSTOM MANUFACTURED ACCORDING TO PLAN DETAILS.
- 3 - DRAINAGE CONNECTION STUB JOINT TIGHTNESS SHALL CONFORM TO ASTM D3212 FOR CORRUGATED HDPE (ADS N-12/HANCOR DUAL WALL), N-12 HP, & PVC SEWER (4" - 36").
- 4 - ADAPTERS CAN BE MOUNTED ON ANY ANGLE 0° TO 360°. TO DETERMINE MINIMUM ANGLE BETWEEN ADAPTERS SEE DRAWING NO. 7001-110-012.
- 5 - VARIABLE INVERT HEIGHTS AVAILABLE (ACCORDING TO PLANS/TAKE OFF).
- 6 - MINIMUM PIPE BURIAL DEPTH PER PIPE MANUFACTURER RECOMMENDATION (MIN. MANUFACTURING REQ. SAME AS MIN. SUMP EXCEPT FOR 36" BASIN. 36" DRAIN BASIN REQ. 2.25 FT FROM RIM TO TOP OF PIPE)
- 7 - ALL ROLL CURB INLET GRATE OPTIONS (DIAGONAL & HIGH FLOW) SHALL MEET H-20 LOAD RATING.

THIS PRINT DISCLOSES SUBJECT MATTER IN WHICH NYLOPLAST HAS PROPRIETARY RIGHTS. THE RECEIPT OR POSSESSION OF THIS PRINT DOES NOT CONFER, TRANSFER, OR LICENSE THE USE OF THE DESIGN OR TECHNICAL INFORMATION SHOWN HEREIN REPRODUCTION OF THIS PRINT OR ANY INFORMATION CONTAINED HEREIN, OR MANUFACTURE OF ANY ARTICLE HEREFROM, FOR THE DISCLOSURE TO OTHERS IS FORBIDDEN, EXCEPT BY SPECIFIC WRITTEN PERMISSION FROM NYLOPLAST.

©2013 NYLOPLAST

DRAWN BY	EBC	MATERIAL
DATE	04-20-07	
REVISED BY	NMH	PROJECT NO./NAME
DATE	07-22-19	
DWG SIZE	A	SCALE 1:40 SHEET 1 OF 1



ADS
Nyloplast

3130 VERONA AVE
 BUFORD, GA 30518
 PHN (770) 932-2443
 FAX (770) 932-2490
 www.nyloplast-us.com

TITLE	2 FT X 3 FT ROLL CURB INLET QUICK SPEC INSTALLATION DETAIL	
DWG NO.	7002-110-075	REV E