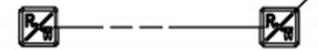
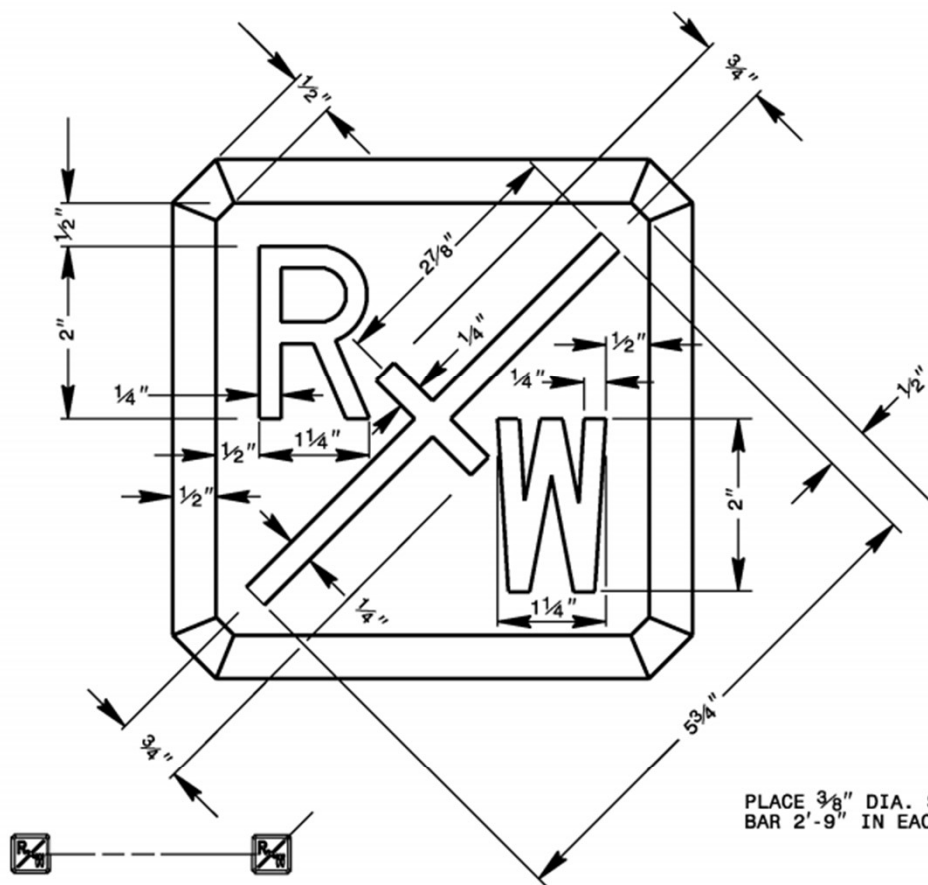


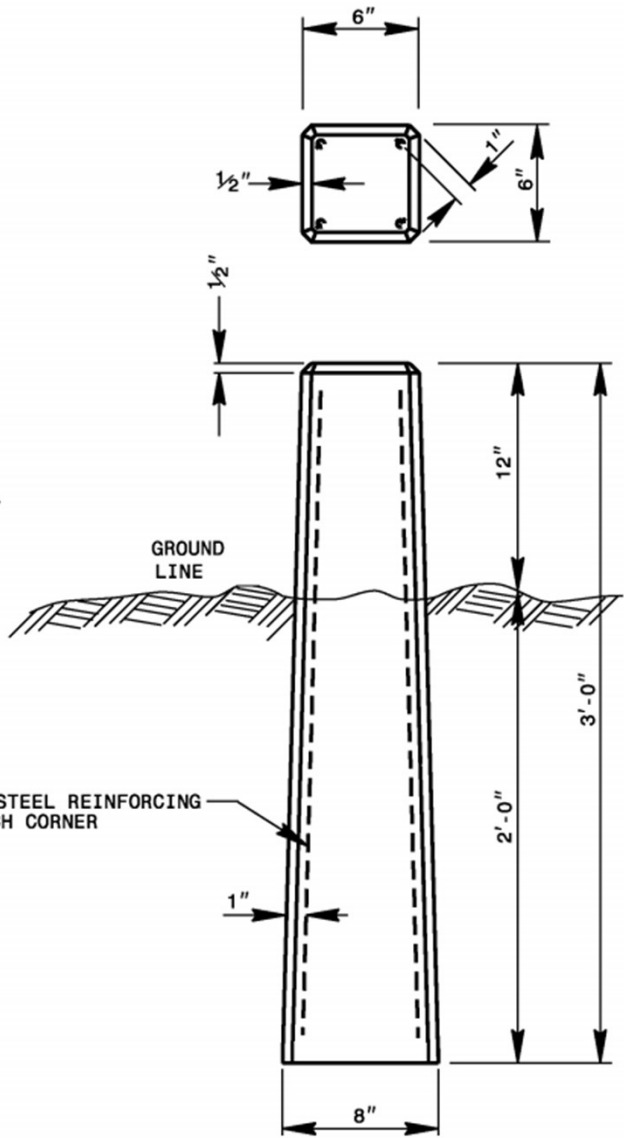
ENGLISH STANDARD DRAWING FOR  
**CONCRETE RIGHT-OF-WAY MARKER**



SET RIGHT-OF-WAY MARKER SO THAT THE RIGHT-OF-WAY LINE PASSES THROUGH THE INTERSECTION OF THE 'X' ON THE TOP OF THE MARKER.

NOTES:  
INDENT THE LETTERS 'R/W' IN THE TOP OF EACH MARKER.  
IN LOCATIONS SUCH AS LAWNS, PRIVATE ENTRANCES, DRIVES,  
ETC. CONSTRUCT 'R/W' MARKER FLUSH WITH THE GROUND.

PLACE 3/8" DIA. STEEL REINFORCING BAR 2'-9" IN EACH CORNER



ENGLISH STANDARD DRAWING FOR  
**CONCRETE RIGHT-OF-WAY MARKER**