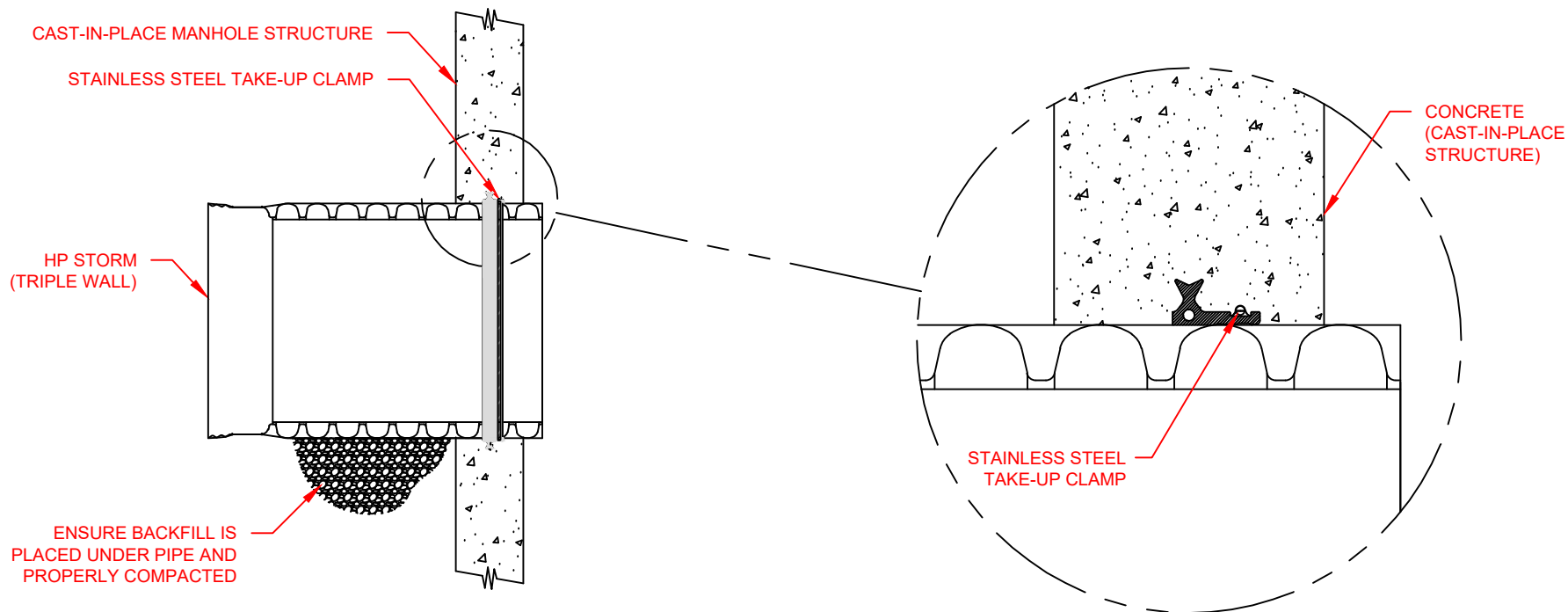


# 30" - 60" (700 mm - 1500 mm) HP STORM (TRIPLE WALL) WATERSTOP MANHOLE CAST-IN-PLACE CONNECTION



PIPE SIZE	ADS PRODUCT CODE
30" (750mm)	3002PSHP
36" (900mm)	3602PSHP
42" (1050mm)	4202PSHP
48" (1200mm)	4802PSHP
60" (1500mm)	6002PSHP

WS-30 WATERSTOP GROUT RING is a product of Press-Seal Gasket Corporation ([www.press-seal.com](http://www.press-seal.com))

## NOTES:

PERFORMANCE HIGHLY DEPENDENT ON INSTALLATION. CONTRACTOR MUST ENSURE MANHOLE GASKET IS UNIFORMLY SEATED AROUND STRUCTURE ADAPTER. EXTRA PRECAUTIONS MUST BE TAKEN TO PREVENT DIFFERENTIAL SETTLEMENT BETWEEN THE PIPE AND MANHOLE.

© 2017 ADS, INC

3	REMOVED O.D. DIMENSIONS	JLM	03/28/17	KAP
REV.	DESCRIPTION	BY	MM/DD/YY	CHK'D

ADVANCED DRAINAGE SYSTEMS, INC. ("ADS") HAS PREPARED THIS DETAIL BASED ON INFORMATION PROVIDED TO ADS. THIS DRAWING IS INTENDED TO DEPICT THE COMPONENTS AS REQUESTED. ADS HAS NOT PERFORMED ANY ENGINEERING OR DESIGN SERVICES FOR THIS PROJECT, NOR HAS ADS INDEPENDENTLY VERIFIED THE INFORMATION SUPPLIED. THE INSTALLATION DETAILS PROVIDED HEREIN ARE GENERAL RECOMMENDATIONS AND ARE NOT SPECIFIC FOR THIS PROJECT. THE DESIGN ENGINEER SHALL REVIEW THESE DETAILS PRIOR TO CONSTRUCTION. IT IS THE DESIGN ENGINEERS RESPONSIBILITY TO ENSURE THE DETAILS PROVIDED HEREIN MEETS OR EXCEEDS THE APPLICABLE NATIONAL, STATE, OR LOCAL REQUIREMENTS AND TO ENSURE THAT THE DETAILS PROVIDED HEREIN ARE ACCEPTABLE FOR THIS PROJECT.

**30"-60" HP STORM (TRIPLE WALL)  
MH WATERSTOP CAST-IN-PLACE**

DRAWING NUMBER: STD-206C



4640 TRUEMAN BLVD  
HILLIARD, OHIO 43026

Advanced Drainage Systems, Inc.

DRAWN BY	CKM
DATE	7/23/09
CHK'D BY	
SCALE	NTS
SHEET	1 OF 1