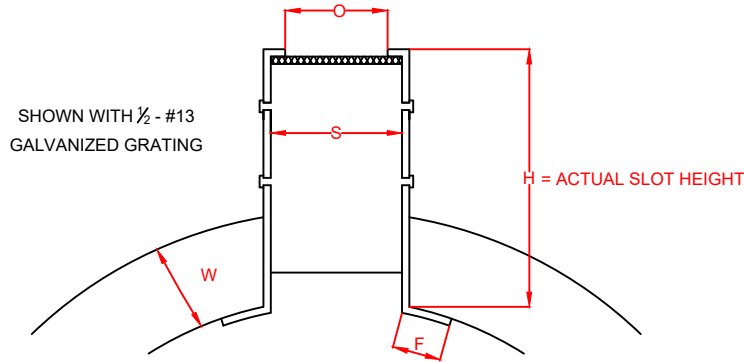
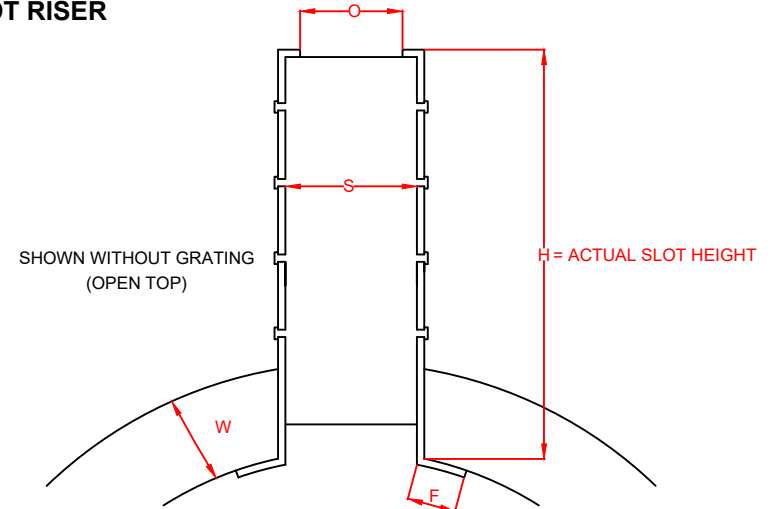


DURASLOT® STANDARD 2.5" & 6" SLOT RISER 4" - 36" DIAMETER



4" - 12" PIPE WITH 2.5" SLOT RISER

PIPE DIAM.	H	W	F	O	S	PRODUCT # (GRATED)	PRODUCT # (OPEN TOP)
4" (100mm)	2.75" (70mm)	0.34" (9mm)	0.5" (13mm)	1.25" (32mm)	1.75" (44mm)	0420DS	0420DSOT
6" (150mm)	3.0" (76mm)	0.5" (13mm)	0.75" (19mm)	1.75" (44mm)	2.25" (57mm)	0620DS	0620DSOT
8" (200mm)	3.0" (76mm)	0.625" (16mm)	0.75" (19mm)	1.75" (44mm)	2.25" (57mm)	0820DS	0820DSOT
10" (250mm)	3.0" (76mm)	0.75" (19mm)	0.75" (19mm)	1.75" (44mm)	2.25" (57mm)	1020DS	1020DSOT
12" (300mm)	3.5" (89mm)	1.125" (29mm)	0.75" (19mm)	1.75" (44mm)	2.25" (57mm)	1220DS	1220DSOT



4" - 36" PIPE WITH 6" SLOT RISER

PIPE DIAM.	H	W	F	O	S	PRODUCT # (GRATED)	PRODUCT # (OPEN TOP)
4" (100mm)	6.25"	0.34"	0.5"	1.25"	1.75"	0460DS	0460DSOT
6" (150mm)	6.5" (165mm)	0.5" (13mm)	0.75" (19mm)	1.75" (44mm)	2.25" (57mm)	0660DS	0660DSOT
8" (200mm)	6.5" (165mm)	0.625" (16mm)	0.75" (19mm)	1.75" (44mm)	2.25" (57mm)	0860DS	0860DSOT
10" (250mm)	6.5" (165mm)	0.75" (19mm)	0.75" (19mm)	1.75" (44mm)	2.25" (57mm)	1060DS	1060DSOT
12" (300mm)	7.0" (178mm)	1.125" (29mm)	0.75" (19mm)	1.75" (44mm)	2.25" (57mm)	1260DS	1260DSOT
15" (375mm)	7.0" (178mm)	1.25" (32mm)	0.75" (19mm)	1.75" (44mm)	2.25" (57mm)	1560DS	1560DSOT
18" (450mm)	7.0" (178mm)	1.5" (38mm)	0.75" (19mm)	1.75" (44mm)	2.25" (57mm)	1860DS	1860DSOT
24" (600mm)	7.25" (184mm)	1.875" (48mm)	1.0" (25mm)	1.75" (44mm)	2.25" (57mm)	2460DS	2460DSOT
30" (750mm)	8.25" (210mm)	2.55" (65mm)	1" (25mm)	1.75" (45mm)	2.25" (57mm)	3060DS	3060DSOT
36" (900mm)	8.25" (210mm)	2.85" (72mm)	1" (25mm)	1.75" (45mm)	2.25" (57mm)	3660DS	3660DSOT

NOTE: DIMENSION FROM GRADE TO PIPE INVERT:
H (ACTUAL SLOT HEIGHT) + PIPE DIAMETER + RECESS (1/8" - 1/4")

© 2018 ADS, INC.

ADVANCED DRAINAGE SYSTEMS, INC. ("ADS") HAS PREPARED THIS DETAIL BASED ON INFORMATION PROVIDED TO ADS. THIS DRAWING IS INTENDED TO DEPICT THE COMPONENTS AS REQUESTED. ADS HAS NOT PERFORMED ANY ENGINEERING OR DESIGN SERVICES FOR THIS PROJECT. NOR HAS ADS INDEPENDENTLY VERIFIED THE INFORMATION SUPPLIED. THE INSTALLATION DETAILS PROVIDED HEREIN ARE GENERAL RECOMMENDATIONS AND ARE NOT SPECIFIC FOR THIS PROJECT. THE DESIGN ENGINEER SHALL REVIEW THESE DETAILS PRIOR TO CONSTRUCTION. IT IS THE DESIGN ENGINEERS RESPONSIBILITY TO ENSURE THE DETAILS PROVIDED HEREIN MEETS OR EXCEEDS THE APPLICABLE NATIONAL, STATE, OR LOCAL REQUIREMENTS AND TO ENSURE THAT THE DETAILS PROVIDED HEREIN ARE ACCEPTABLE FOR THIS PROJECT.

REV.	DESCRIPTION	BY	MM/DD/YY	CHK'D

DRAWING NUMBER:

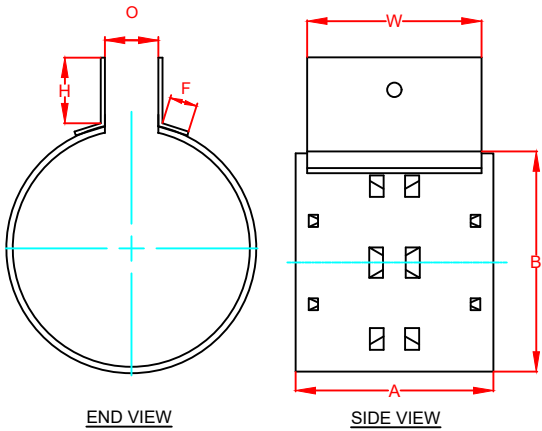


4640 TRUEMAN BLVD
HILLIARD, OHIO 43026

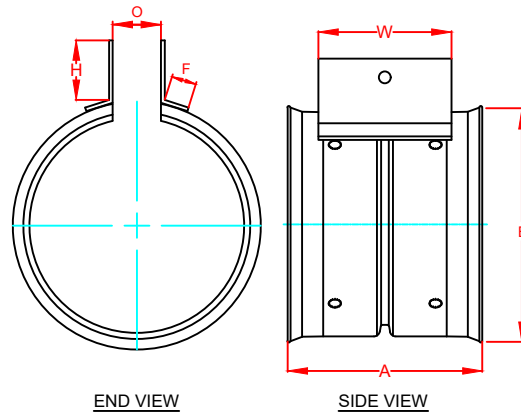
DATE:	
DESIGN BY:	
SCALE:	NTS
SHEET:	1 OF 1

DURASLOT® STANDARD COUPLERS 4" - 36" DIAMETER

(ST CLEATED COUPLER FOR 4" PIPE DIAMETER)



(BELL-BELL COUPLER FOR 6" PIPE DIAMETER)



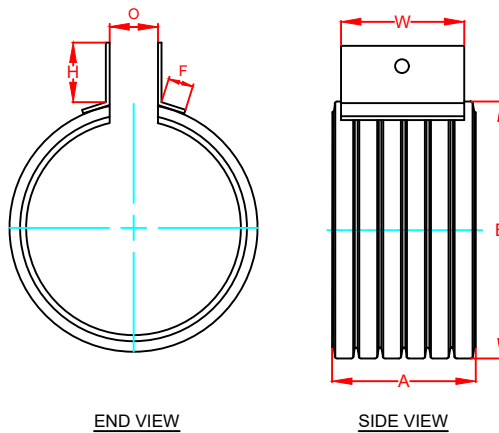
2.5" SLOT RISER COUPLER BAND DIMENSIONS

PIPE DIAM.	H	O	F	W	A	B	PRODUCT #
4" (100mm)	2" (50mm)	1.875" (48mm)	0.75" (19mm)	3.75" (95mm)	4" (100mm)	4.75" (120mm)	0421DS
6" (150mm)	2" (50mm)	2.375" (60mm)	1" (25mm)	5" (127mm)	7.25" (184mm)	7.625" (194mm)	0621DS
8" (200mm)	2" (50mm)	2.375" (60mm)	1" (25mm)	5" (127mm)	6" (152mm)	10" (254mm)	0821DS
10" (250mm)	2" (50mm)	2.375" (60mm)	1" (25mm)	5" (127mm)	5.5" (140mm)	12.5" (318mm)	1021DS
12" (300mm)	2" (50mm)	2.375" (60mm)	1" (25mm)	8" (203mm)	7.75" (197mm)	*****	1221DS

6" SLOT RISER COUPLER BAND DIMENSIONS

PIPE DIAM.	H	O	F	W	A	B	PRODUCT #
4" (100mm)	5.5" (50mm)	1.875" (48mm)	0.75" (19mm)	3.75" (95mm)	4" (100mm)	4.75" (120mm)	0426DS
6" (150mm)	5.5" (50mm)	2.375" (60mm)	1" (25mm)	5" (127mm)	7.25" (184mm)	7.625" (194mm)	0626DS
8" (200mm)	5.5" (50mm)	2.375" (60mm)	1" (25mm)	5" (127mm)	6" (152mm)	10" (254mm)	0826DS
10" (250mm)	5.5" (50mm)	2.375" (60mm)	1" (25mm)	5" (127mm)	5.5" (140mm)	12.5" (318mm)	1026DS
12" (300mm)	5.5" (50mm)	2.375" (60mm)	1" (25mm)	8" (203mm)	7.75" (197mm)	*****	1226DS
15" (375mm)	5.5" (50mm)	2.375" (60mm)	1" (25mm)	9" (229mm)	10.5" (267mm)	*****	1526DS
18" (450mm)	5" (127mm)	2.375" (60mm)	1" (25mm)	9" (229mm)	10.5" (267mm)	*****	1826DS
24" (600mm)	5" (127mm)	2.375" (60mm)	1" (25mm)	10" (254mm)	12.63" (321mm)	*****	2426DS
30" (750mm)	5" (127mm)	2.375" (60mm)	1" (25mm)	10" (254mm)	16.5" (419mm)	*****	3026DS
36" (900mm)	5" (127mm)	2.375" (60mm)	1" (25mm)	10" (254mm)	20.8" (528mm)	*****	3626DS

(SPLIT COUPLER FOR 8" - 36" PIPE DIAMETER)



NOTE: ALL FITTINGS DIMENSIONS ARE FOR REFERENCE ONLY

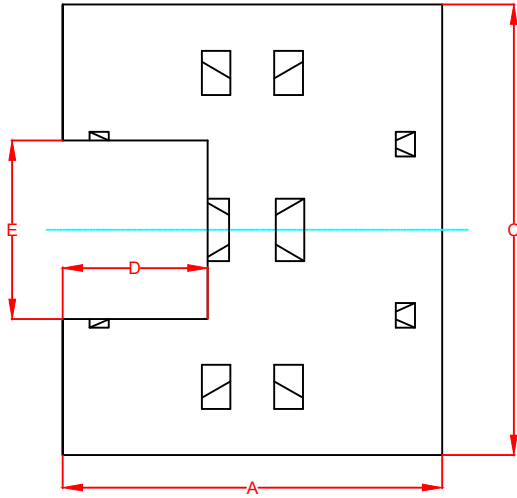


ADVANCED DRAINAGE SYSTEMS, INC.

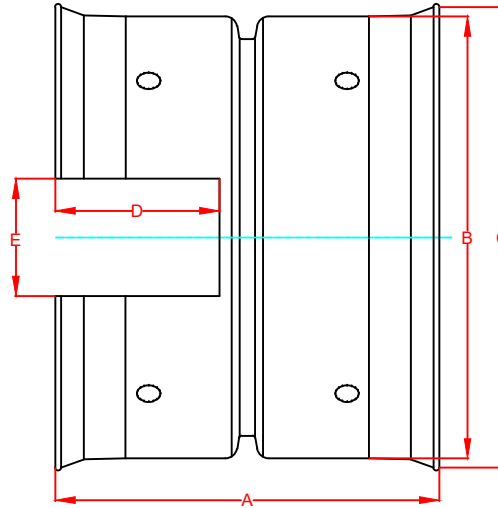
DRAWING #:		
DRAWN BY:		
APPROVED BY:		
REVISIONS:		
SCALE:	NTS	

DURASLOT® ADAPTERS 4" - 36" DIAMETER

(ST CLEATED INTERNAL ADAPTER FOR 4" PIPE DIAMETER)



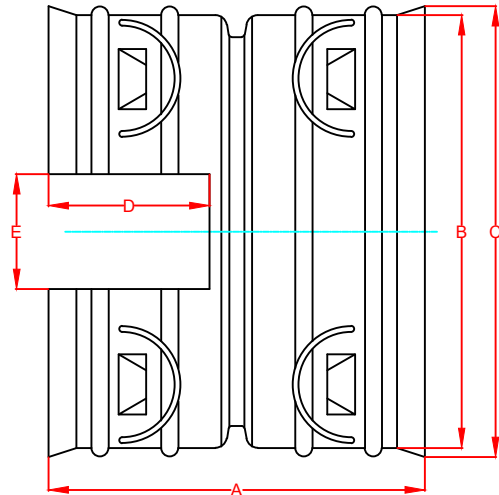
(BELL-BELL ADAPTER FOR 6-10" PIPE DIAMETER)



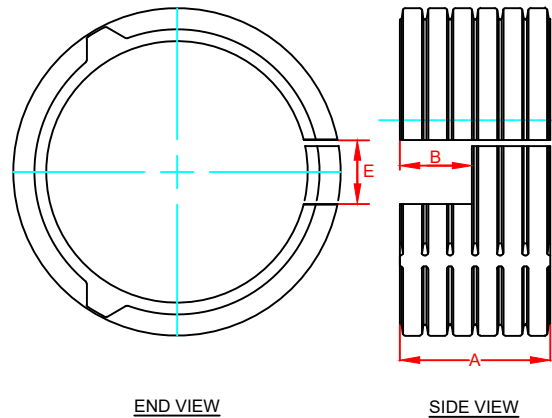
2.5", 6" & VARIABLE SLOT RISER ADAPTER DIMENSIONS

PIPE DIAM.	A	B	C	D	E	PRODUCT #
4" (100mm)	4" (100mm)	NA	4.75" (120mm)	1.25" (32mm)	2" (50mm)	0462DS
6" (150mm)	7.25" (184mm)	6.95" (177mm)	7.63" (194mm)	3" (76mm)	2.5" (64mm)	0662DS
8" (200mm)	8.25" (210mm)	9.17" (233mm)	10.13" (257mm)	3.5" (89mm)	2.5" (64mm)	0862DS
10" (250mm)	9.25" (235mm)	11.56" (294mm)	12.13" (308mm)	4" (100mm)	2.5" (64mm)	1062DS
12" (300mm)	14" (356mm)	14.6" (371mm)	15.4" (391mm)	5.5" (140mm)	2.5" (64mm)	1262DS
15" (375mm)	16" (406mm)	17.75" (449mm)	18.6" (472mm)	6.5" (165mm)	2.5" (64mm)	1562DS
18" (450mm)	18" (457mm)	21.4" (544mm)	22.4" (569mm)	7.5" (191mm)	2.5" (64mm)	1862DS
24" (600mm)	14.8" (374mm)	28.2" (716mm)	29.25" (743mm)	6" (152mm)	2.5" (64mm)	2462DS
30" (750mm)	16.5" (419mm)	8" (203mm)	NA	NA	2.5" (64mm)	3062DS
36" (900mm)	20.8" (528mm)	10" (254mm)	NA	NA	2.5" (64mm)	3662DS

(ST CLEATED EXTERNAL ADAPTER FOR 12" PIPE DIAMETER)
NOTE: ACCEPTABLE ALTERNATE FOR THIS PART



(SPLIT COUPLER ADAPTER FOR 30 & 36" PIPE DIAMETER)



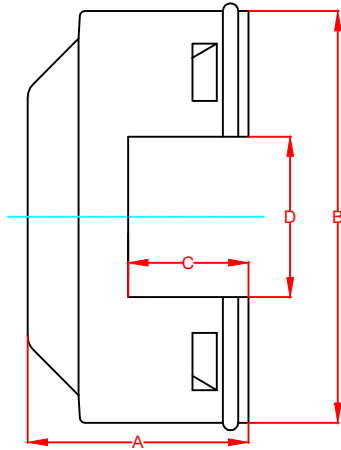
NOTE: ALL DIMENSIONS ARE FOR REFERENCE ONLY



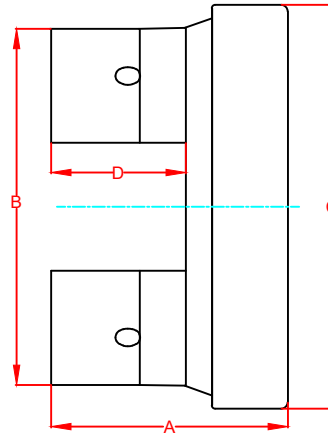
DRAWING #:		
DRAWN BY:		
APPROVED BY:		
REVISIONS:		
SCALE:	NTS	

DURASLOT® END CAPS 4" - 36" DIAMETER

(ST CLEATED END CAP FOR 4 & 8" PIPE DIAMETER)



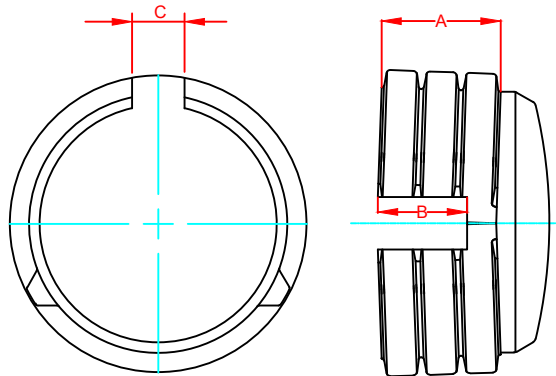
(SPIGOT END CAP FOR 6 & 10" PIPE DIAMETER)



2.5", 6" & VARIABLE SLOT RISER END CAP DIMENSIONS

PIPE DIAM.	A	B	C	D	PRODUCT #
4" (100mm)	2.75" (70mm)	5.125" (130mm)	1.5" (38mm)	2" (50mm)	0433DS
6" (150mm)	4.5" (114mm)	6.95" (177mm)	7.63" (194mm)	3" (76mm)	0633DS
8" (200mm)	4.25" (108mm)	9.875" (249mm)	2.5" (64mm)	2.5" (64mm)	0833DS
10" (250mm)	5" (127mm)	11.56" (294mm)	12.13" (308mm)	3.5" (89mm)	1033DS
12" (300mm)	5.76" (146mm)	4.25" (108mm)	2.5" (64mm)	NA	1233DS
15" (375mm)	7.77" (197mm)	6.25" (159mm)	2.5" (64mm)	NA	1533DS
18" (450mm)	8.04" (204mm)	6.50" (165mm)	2.5" (64mm)	NA	1833DS
24" (600mm)	9.45" (240mm)	8" (200mm)	2.5" (64mm)	NA	2433DS
30" (750mm)	NA	NA	NA	NA	3033AA
36" (900mm)	NA	NA	NA	NA	3633AA

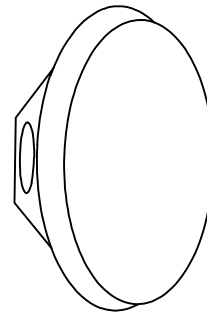
(SPLIT END CAP FOR 12" - 24" PIPE DIAMETER)



END VIEW

TOP VIEW

(TAYLOR END PLUG FOR 30 & 36" PIPE DIAMETER)



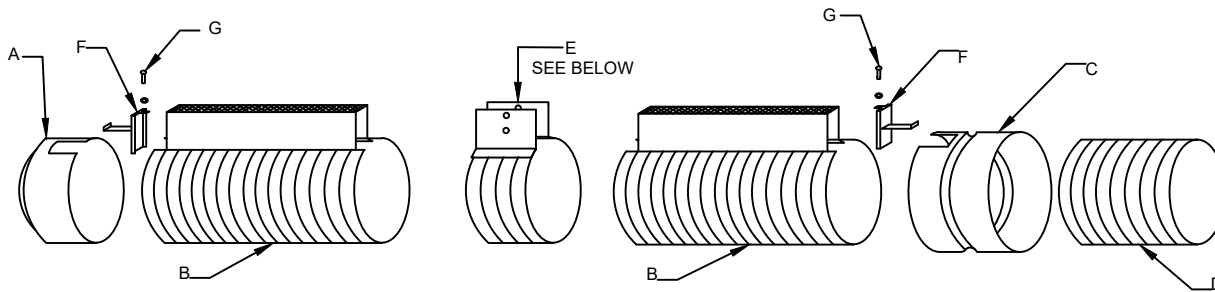
NOTE: ALL FITTINGS DIMENSIONS ARE FOR REFERENCE ONLY



DRAWING #:		
DRAWN BY:		
APPROVED BY:		
REVISIONS:		
SCALE:	NTS	

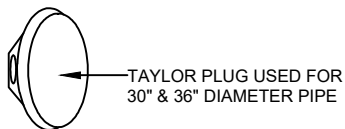
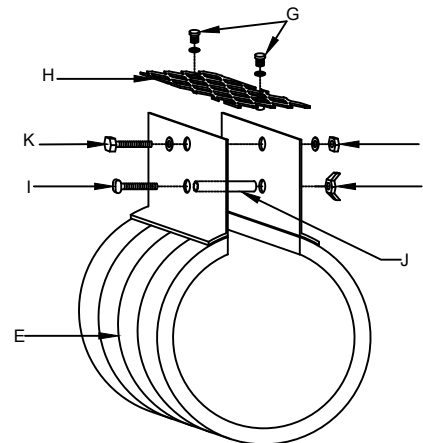
DURASLOT® STANDARD ASSEMBLY

GRATED ASSEMBLY

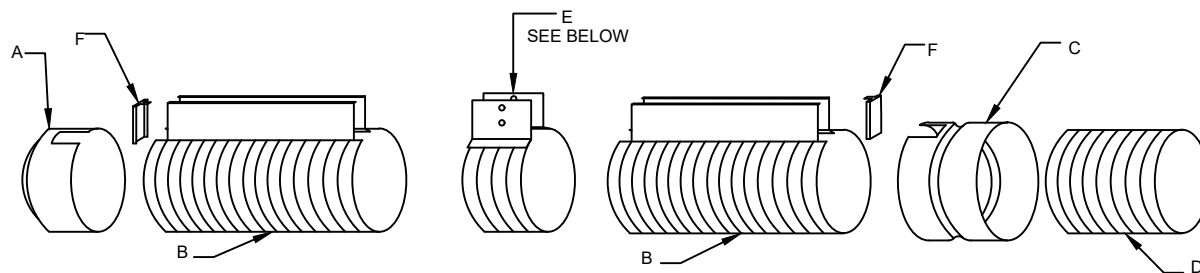


- A. DURASLOT END CAP OR TAYLOR PLUG FOR 30" & 36" PIPE
- B. DURASLOT PIPE
- C. DURASLOT ADAPTER
- D. N-12 PIPE
- E. DURASLOT COUPLER BAND
- F. DURASLOT GRATE ANCHOR
- G. ¼" SPHS X 1" LONG W/ WASHER
- H. DURASLOT GRATE CONNECTOR
- I. ⅝" HEX HEAD SCREW X 3½" LONG W/ WASHER & ⅝" WINGNUT
- J. PLASTIC SLEEVE SPACER (GOES ON I. - NOT USED W/ 4" DIAM.)
- K. HEX HEAD ASSEMBLY:
⅝" HEX HEAD SCREW X 3½" LONG
W/ (2) WASHERS AND ⅝" HEX NUT

NOTE: - EACH CAP (A) & ADAPTER (C) COMES WITH AN ANCHOR (F)
 EACH COUPLER BAND (E) COMES WITH HARDWARE - I, J, K, & L
 - (K) NOT USED W/ 4" DIAM. W/ 2.5" SLOT RISER

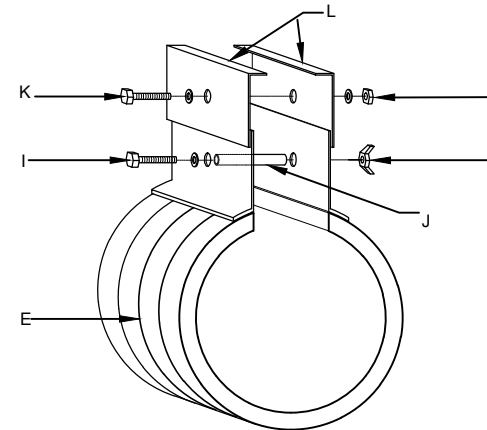


OPEN TOP ASSEMBLY



- A. DURASLOT END CAP OR TAYLOR PLUG FOR 30" & 36" PIPE
- B. DURASLOT ADAPTER
- C. N-12 PIPE
- D. DURASLOT COUPLER BAND
- E. DURASLOT GRATE ANCHOR
- F. DURASLOT GRATE ANCHOR
- G. ¼" SPHS X 1" LONG W/ WASHER
- H. DURASLOT GRATE CONNECTOR
- I. HEX HEAD ASSEMBLY:
⅝" HEX HEAD SCREW X 3½" LONG
W/ WASHER & ⅝" WINGNUT
- J. PLASTIC SLEEVE SPACER (GOES ON I. - NOT USED W/ 4" DIAM.)
- K. HEX HEAD ASSEMBLY:
⅝" HEX HEAD SCREW X 3½" LONG
W/ (2) WASHERS AND ⅝" HEX NUT
- L. DURASLOT BAND FLANGES

NOTE: EACH CAP (A) & ADAPTER (C) COMES WITH A CAP (F)
 EACH COUPLER BAND (E) COMES WITH HARDWARE (I, J, K, & L)



© 2018 ADS, INC.

ADVANCED DRAINAGE SYSTEMS, INC. ("ADS") HAS PREPARED THIS DETAIL BASED ON INFORMATION PROVIDED TO ADS. THIS DRAWING IS INTENDED TO DEPICT THE COMPONENTS AS REQUESTED. ADS HAS NOT PERFORMED ANY ENGINEERING OR DESIGN SERVICES FOR THIS PROJECT, NOR HAS ADS INDEPENDENTLY VERIFIED THE INFORMATION SUPPLIED. THE INSTALLATION DETAILS PROVIDED HEREIN ARE GENERAL RECOMMENDATIONS AND ARE NOT SPECIFIC FOR THIS PROJECT. THE DESIGN ENGINEER SHALL REVIEW THESE DETAILS PRIOR TO CONSTRUCTION. IT IS THE DESIGN ENGINEERS RESPONSIBILITY TO ENSURE THE DETAILS PROVIDED HEREIN MEETS OR EXCEEDS THE APPLICABLE NATIONAL, STATE, OR LOCAL REQUIREMENTS AND TO ENSURE THAT THE DETAILS PROVIDED HEREIN ARE ACCEPTABLE FOR THIS PROJECT.

REV.	DESCRIPTION	BY	MM/DD/YY	CHK'D

DRAWING NUMBER:



4640 TRUEMAN BLVD
 HILLIARD, OHIO 43026

ADVANCED DRAINAGE SYSTEMS, INC.

DRAWN BY:	
DATE:	
CHK'D BY:	
SCALE:	NTS
SHEET:	1 OF 1