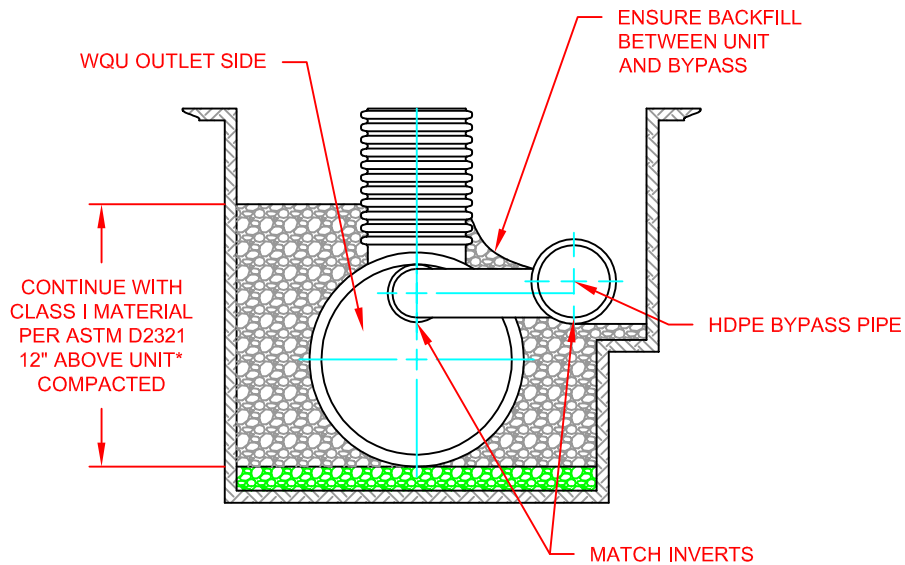


5. BACKFILL AROUND THE UNIT AND BY-PASS

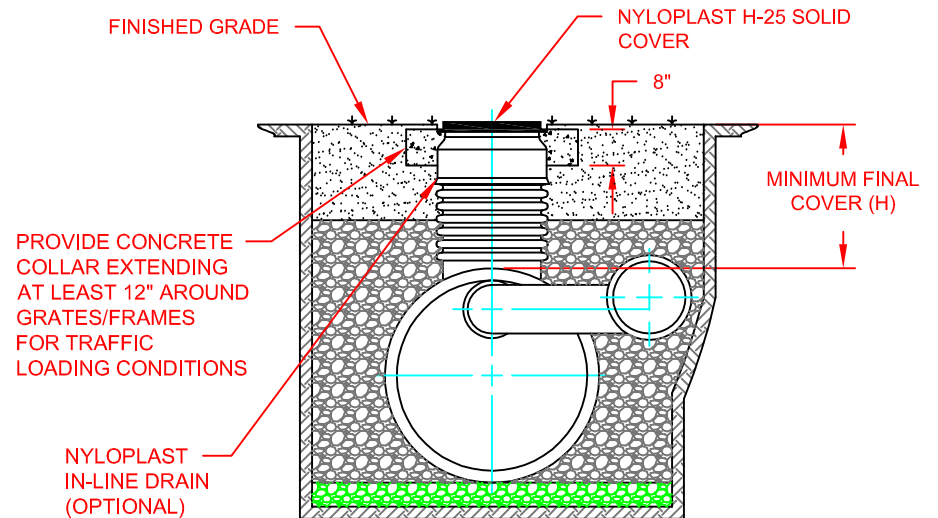


NOTES:

1. CONTINUE BACKFILL WITH CLASS I MATERIAL PER ASTM D2321 TO 12" ABOVE WATER QUALITY UNIT.
2. FILL UNIT WITH WATER TO THE TOP OF THE SEDIMENT WEIR PLATE ONCE BACKFILL IS PLACED AND COMPACTED 12" ABOVE THE UNIT.

* FOR 60" UNITS CONTINUE BACKFILL WITH CLASS I MATERIAL PER ASTM D2321 TO 24" ABOVE WATER QUALITY UNIT..

6. FINAL COVER AND RISER EXTENSIONS



NOTES:

1. PLEASE FOLLOW THE INSTALLATION GUIDELINES FOUND IN THE ADS DRAINAGE HANDBOOK WHEN INSTALLING ADS N-12 PIPE ON THE BY-PASS CONNECTION OR IN OTHER DRAINAGE APPLICATIONS ON THE SITE.
2. ALL RISER EXTENTIONS TO GRADE SHOULD BE COORDINATED THROUGH YOUR ADS REPRESENTATIVE.

FOR NON-TRAFFIC LOADING: H = 12" COVER FOR 36", 42", AND 48" UNITS MEASURED FROM THE TOP OF THE PIPE TO THE BOTTOM OF BITUMINOUS PAVEMENT OR TOP OF RIGID PAVEMENT. H = 24" COVER FOR 60" PIPE.

FOR TRAFFIC LOADING H = 24" COVER FOR 36", 42", 48", AND 60" MEASURED FROM THE TOP OF THE PIPE TO THE BOTTOM OF BITUMINOUS PAVEMENT OR TOP OF RIGID PAVEMENT..

© 2016 ADS, INC.

ADVANCED DRAINAGE SYSTEMS, INC. ("ADS") HAS PREPARED THIS DETAIL BASED ON INFORMATION PROVIDED TO ADS. THIS DRAWING IS INTENDED TO DEPICT THE COMPONENTS AS REQUESTED. ADS HAS NOT PERFORMED ANY ENGINEERING OR DESIGN SERVICES FOR THIS PROJECT, NOR HAS ADS INDEPENDENTLY VERIFIED THE INFORMATION SUPPLIED. THE INSTALLATION DETAILS PROVIDED HEREIN ARE GENERAL RECOMMENDATIONS AND ARE NOT SPECIFIC FOR THIS PROJECT. THE DESIGN ENGINEER SHALL REVIEW THESE DETAILS PRIOR TO CONSTRUCTION. IT IS THE DESIGN ENGINEERS RESPONSIBILITY TO ENSURE THE DETAILS PROVIDED HEREIN MEETS OR EXCEEDS THE APPLICABLE NATIONAL, STATE, OR LOCAL REQUIREMENTS AND TO ENSURE THAT THE DETAILS PROVIDED HEREIN ARE ACCEPTABLE FOR THIS PROJECT.

| | | | | |
|------|------------------------|-----|----------|-------|
| 2 | RENAMED AND RENUMBERED | TJR | 02/17/16 | |
| REV. | DESCRIPTION | BY | MM/DD/YY | CHK'D |

**WQU INSTALLATION
(BACKFILL AND FINAL COVER)**

DRAWING NUMBER: STD-511B



4640 TRUEMAN BLVD
HILLIARD, OHIO 43026

ADVANCED DRAINAGE SYSTEMS, INC.

| | |
|----------|---------|
| DRAWN BY | MGB |
| DATE | 7/28/03 |
| CHK'D BY | |
| SCALE | NTS |
| SHEET | OF |