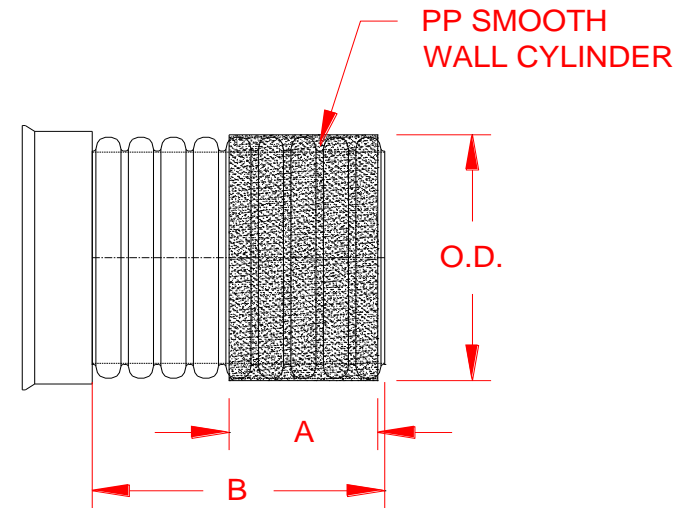


**SANITITE® HP DUAL WALL TO RCP MANHOLE ADAPTER FITTING (BELL END)  
WATER TIGHT CONNECTION**

PART #	PIPE SIZE	A	B	OD
1222ANBP	12 in (300 mm)	12.0 in (305 mm)	49.0 in (1245 mm)	14.8 in (376 mm)
1522ANBP	15 in (375 mm)	14.5 in (368 mm)	48.8 in (1239 mm)	18.1 in (459 mm)
1822ANBP	18 in (450 mm)	19.5 in (495 mm)	47.6 in (1208 mm)	21.8 in (554 mm)
2422ANBP	24 in (600 mm)	23.3 in (591 mm)	47.7 in (1212 mm)	28.9 in (733 mm)



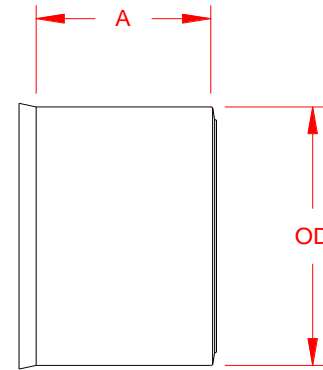
NOTE:  
REQUIRES SERIES 65 GASKET (INCLUDED)  
IN FIELD TO MAKE WT CONNECTION

NOTE: ALL DIMENSIONS ARE NOMINAL

 Advanced Drainage Systems, Inc.	DRAWING #:	HP 20000
	DRAWN BY:	TJR 10/27/2009
	APPROVED BY:	
	REVISIONS:	TJR 10/18/2016

## ADS SANITITE® HP MANHOLE ADAPTER

PART #	PIPE SIZE	A	OD
1222AAPP	12 in (300 mm)	12.0 in (305 mm)	15.3 in (389 mm)
1522AAPP	15 in (375 mm)	12.0 in (305 mm)	18.3 in (465 mm)
1822AAPP	18 in (450 mm)	15.0 in (381 mm)	22.0 in (559 mm)
2422AAPP	24 in (600 mm)	18.0 in (457 mm)	29.0 in (737 mm)



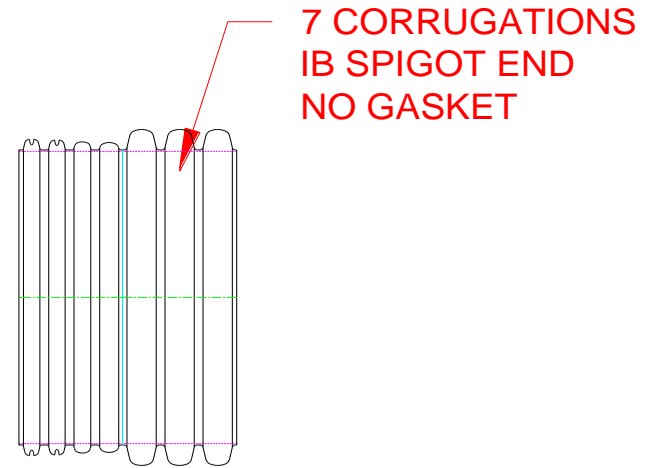
WT (INCLUDES 2 GASKETS)

NOTE: ALL DIMENSIONS ARE NOMINAL

 Advanced Drainage Systems, Inc.	DRAWING #:	HP 20100
	DRAWN BY:	TJR 11/8/2012
	APPROVED BY:	
	REVISIONS:	TJR 10/18/2016


SANITITE® HP DUAL WALL  
12" -30" JOINT PUSHER

PART #	PIPE SIZE
1208ANP	12 in (300 mm)
1508ANP	15 in (375 mm)
1808ANP	18 in (450 mm)
2408ANP	24 in (600 mm)
3008ANP	30 in (750 mm)



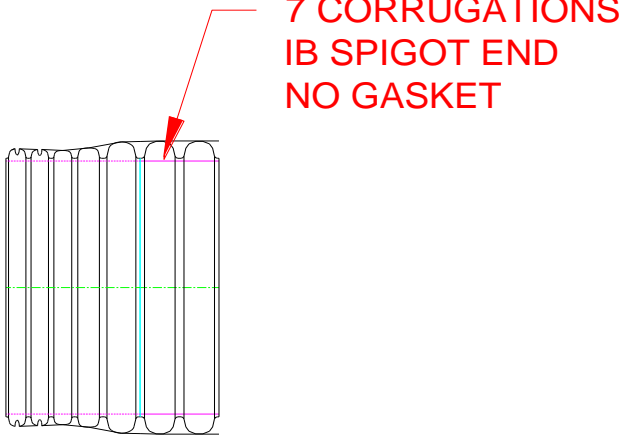
NOTE:  
GASKETS NOT INCLUDED  
IF WT FIELD CONNECTION IS NEEDED  
SERIES 65 GASKETS WILL NEED TO BE  
ORDERED SEPARATELY

NOTE: ALL DIMENSIONS ARE NOMINAL

	DRAWING #:	HP 20200
	DRAWN BY:	TJR 2/10/2010
	APPROVED BY:	
	REVISIONS:	TJR 10/18/2016

**SANITITE® HP TRIPLE WALL  
30" -60" JOINT PUSHER**

PART #	PIPE SIZE
3008ANPT	30 in (750 mm)
3608ANPT	36 in (900 mm)
4208ANPT	42 in (1050 mm)
4808ANPT	48 in (12000 mm)
6008ANPT	60 in (1500 mm)



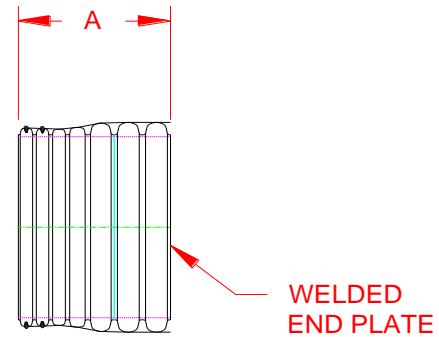
NOTE:  
REQUIRES SERIES 65 GASKET (INCLUDED)  
IN FIELD TO MAKE WT CONNECTION

NOTE: ALL DIMENSIONS ARE NOMINAL

	DRAWING #:	HP 20300
	DRAWN BY:	TJR 2/10/2010
	APPROVED BY:	
	REVISIONS:	TJR 10/18/2016

**SANITITE® HP TRIPLE WALL FABRICATED END CAPS**  
**30" - 60" DIAMETER (IB SPIGOT)**

PART #	PIPE SIZE	A	JOINT
3001AN30GPT	30 in (750 mm)	23.7 in (602 mm)	WT
3601AN30GPT	36 in (900 mm)	28.8 in (731 mm)	WT
4201AN30GPT	42 in (1050 mm)	21.8 in (552 mm)	WT
4801AN30GPT	48 in (1200 mm)	25.5 in (646 mm)	WT
6001AN30GPT	60 in (1500 mm)	35.5 in (901 mm)	WT



WT (INCLUDES 2 GASKETS)

NOTE: ALL FITTINGS DIMENSIONS ARE FOR REFERENCE ONLY

	DRAWING #:	HP 20400	
	DRAWN BY:	TJR	8/19/2010
	APPROVED BY:		
	REVISIONS:	TJR	10/18/2016