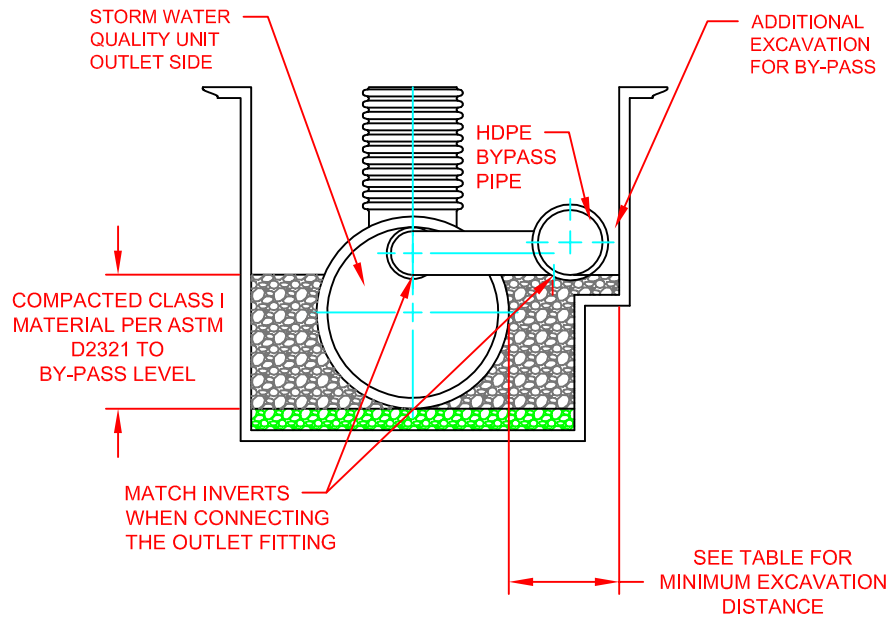


3. CONNECTING THE BYPASS (OUTLET END)



NOTE:

1. START ON THE DOWNSTREAM END BY CONNECTING THE OUTLET FITTING: BE SURE TO MATCH INVERTS OF UNIT OUTLET AND BYPASS PIPE.
2. BY-PASS FITTINGS CAN BE CONNECTED USING THE SAME COUPLERS AS THE MAIN STORM SEWER PIPE. COUPLERS MAY BE SPLIT COUPLERS, IN-LINE BELL COUPLERS, SNAP COUPLERS, BELL-BELL COUPLERS OR WELDED COUPLERS

DISTANCE FROM OUTSIDE OF SWQU TO OUTER WALL OF BYPASS PIPE* (IN)

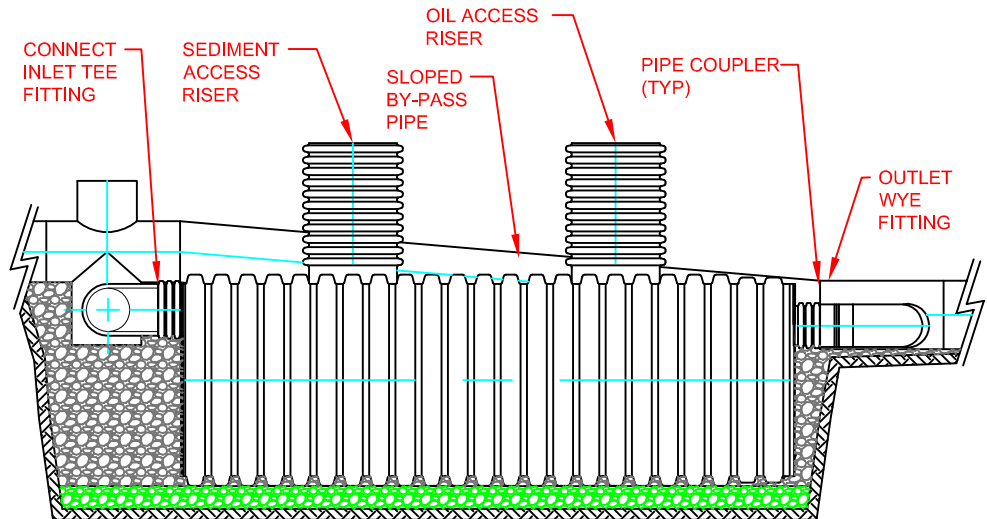
BYPASS PIPE DIAMETER** (IN)								
12	15	18	24	30	36	42	48	60
41	44	49	56	64	71	78	85	100

* ASSUMES 18" MINIMUM SEPARATION BETWEEN SWQU AND HDPE BYPASS PIPE. TRENCH WIDTHS WILL VARY WHEN CONNECTING TO OTHER PIPE/STRUCTURE MATERIALS.

** STANDARD CONFIGURATIONS ARE NOT AVAILALE FOR EVERY SWQU AND BYPASS DIAMETER COMBINATION. CHECK WITH PRODUCT CATALOG FOR LISTING OF STANDARD UNITS.

© 2016 ADS, INC.

4. CONNECTING THE BY-PASS (INLET END)



NOTES:

1. CONTINUE CONNECTING THE BY-PASS PIPE TO THE UPSTREAM END OF THE UNIT.
2. FINISH THE BY-PASS CONNECTION TO THE UNIT BY CONNECTING THE INLET TEE FITTING

NOTE:

PLEASE CONSULT WITH YOUR ADS REPRESENTATIVE ON THE AMOUNT OF FALL FROM THE BY-PASS INLET INVERT TO THE BY-PASS OUTLET INVERT

2	RENAMED AND RENUMBERED	TJR	02/17/16	
REV.	DESCRIPTION	BY	MM/DD/YY	CHK'D

ADVANCED DRAINAGE SYSTEMS, INC. ("ADS") HAS PREPARED THIS DETAIL BASED ON INFORMATION PROVIDED TO ADS. THIS DRAWING IS INTENDED TO DEPICT THE COMPONENTS AS REQUESTED. ADS HAS NOT PERFORMED ANY ENGINEERING OR DESIGN SERVICES FOR THIS PROJECT, NOR HAS ADS INDEPENDENTLY VERIFIED THE INFORMATION SUPPLIED. THE INSTALLATION DETAILS PROVIDED HEREIN ARE GENERAL RECOMMENDATIONS AND ARE NOT SPECIFIC FOR THIS PROJECT. THE DESIGN ENGINEER SHALL REVIEW THESE DETAILS PRIOR TO CONSTRUCTION. IT IS THE DESIGN ENGINEERS RESPONSIBILITY TO ENSURE THE DETAILS PROVIDED HEREIN MEETS OR EXCEEDS THE APPLICABLE NATIONAL, STATE, OR LOCAL REQUIREMENTS AND TO ENSURE THAT THE DETAILS PROVIDED HEREIN ARE ACCEPTABLE FOR THIS PROJECT.

**WQU INSTALLATION
(CONNECTING BYPASS)**

DRAWING NUMBER: STD-511A



4640 TRUEMAN BLVD
HILLIARD, OHIO 43026

DRAWN BY:	MGB
DATE:	7/28/03
QC'D BY:	
SCALE:	NTS
SHEET:	OF