

DUAL WALL FABRICATED TEES
4" - 30" DIAMETER

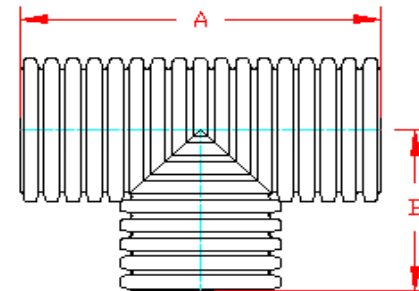
| PART # | PIPE SIZE | A | B | JOINT |
|-----------|-------------------|----------------------|---------------------|-------|
| ** 0460AN | 4 in (100 mm) | 12.8 in (324 mm) | 6.2 in (158 mm) | * |
| ** 0661AN | 6 in (150 mm) | 16.5 in (419 mm) | 8.1 in (207 mm) | * |
| ** 0862AN | 8 in (200 mm) | 21.0 in (533 mm) | 10.6 in (268 mm) | * |
| ** 1063AN | 10 in (250 mm) | 26.0 in (660 mm) | 12.6 in (320 mm) | * |
| 1264AN | 12 in (300 mm) | 30.7 in (780 mm) | 15.4 in (390 mm) | * |
| 1264AN85B | 12 in (300 mm) | 21.1 in (536 mm) | 10.6 in (268 mm) | ST |
| 1264AN65B | 12 in (300 mm) | 21.1 in (536 mm) | 10.6 in (268 mm) | WT |
| 1565AN | 15 in (375 mm) | 38.9 in (987 mm) | 19.4 in (494 mm) | * |
| 1565AN85B | 15 in (375 mm) | 23.3 in (592 mm) | 11.7 in (296 mm) | ST |
| 1565AN65B | 15 in (375 mm) | 23.3 in (592 mm) | 11.7 in (296 mm) | WT |
| 1866AN | 18 in (450 mm) | 42.9 in (1089 mm) | 21.4 in (545 mm) | * |
| 1866AN85B | 18 in (450 mm) | 26.8 in (681 mm) | 13.4 in (340 mm) | ST |
| 1866AN65B | 18 in (450 mm) | 26.8 in (681 mm) | 13.4 in (340 mm) | WT |
| 2467AN | 24 in (600 mm) | 50.4 in (1280 mm) | 25.2 in (640 mm) | * |
| 2467AN85B | 24 in (600 mm) | 37.8 in (960 mm) | 18.9 in (480 mm) | ST |
| 2467AN65B | 24 in (600 mm) | 37.8 in (960 mm) | 18.9 in (480 mm) | WT |

* = PLAIN END

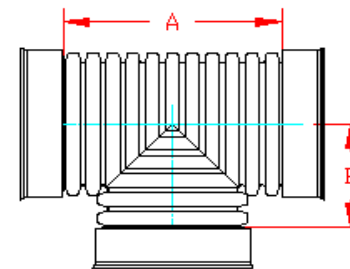
ST = SOIL TIGHT

WT = WATER TIGHT

** LIMITED AVAILABILITY. PLEASE SEE INJECTION MOLDED FITTING SECTION FOR OTHER AVAILABLE FITTINGS



PLAIN END



ST & WT (INCLUDES 3 GASKETS)

NOTE: ALL FITTINGS DIMENSIONS ARE FOR REFERENCE ONLY

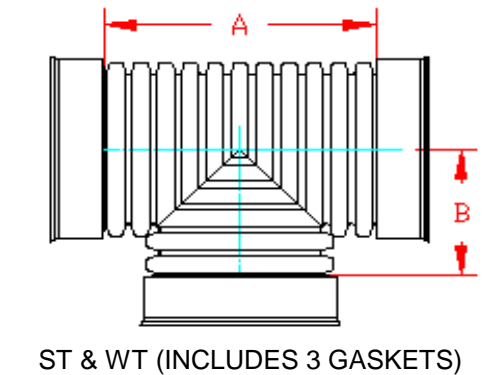
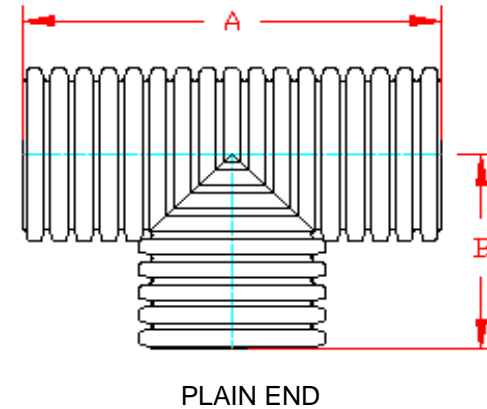
© 2021 Advanced Drainage Systems, Inc.



| | | |
|--------------|------|-----------|
| DRAWING #: | 2400 | |
| DRAWN BY: | JCB | 05.23.07 |
| APPROVED BY: | JCB | 06.26.07 |
| REVISIONS: | TJR | 4/28/2016 |
| | | |
| | | |

DUAL WALL FABRICATED TEES 30" - 60" DIAMETER

| PART # | PIPE SIZE | A | B | JOINT |
|------------|--------------------|----------------------|----------------------|-------|
| 3068AN | 30 in (750 mm) | 65.9 in (1674 mm) | 33.0 in (837 mm) | * |
| 3068AN85B | 30 in (750 mm) | 49.4 in (1256 mm) | 24.7 in (628 mm) | ST |
| 3068AN65B | 30 in (750 mm) | 49.4 in (1256 mm) | 24.7 in (628 mm) | WT |
| 3669AN | 36 in (900 mm) | 78.8 in (2000 mm) | 34.4 in (873 mm) | * |
| 3669AN85B | 36 in (900 mm) | 58.0 in (1473 mm) | 29.0 in (737 mm) | ST |
| 3669AN65B | 36 in (900 mm) | 58.0 in (1473 mm) | 29.0 in (737 mm) | WT |
| 4251AN | 42 in (1050 mm) | 71.9 in (1826 mm) | 36.0 in (914 mm) | * |
| 4251AN85B | 42 in (1050 mm) | 62.2 in (1580 mm) | 31.1 in (790 mm) | ST |
| 4251AN65BB | 42 in (1050 mm) | 62.2 in (1580 mm) | 31.1 in (790 mm) | WT |
| 4851AN | 48 in (1200 mm) | 78.5 in (1994 mm) | 39.3 in (998 mm) | * |
| 4851AN85B | 48 in (1200 mm) | 68.2 in (1733 mm) | 36.7 in (933 mm) | ST |
| 4851AN65BB | 48 in (1200 mm) | 68.2 in (1733 mm) | 36.7 in (933 mm) | WT |
| 6051AN | 60 in (1500 mm) | 90.0 in (2286 mm) | 45.0 in (1143 mm) | * |
| 6051AN85B | 60 in (1500 mm) | 90.0 in (2286 mm) | 45.0 in (1143 mm) | ST |
| 6051AN65BB | 60 in (1500 mm) | 90.0 in (2286 mm) | 45.0 in (1143 mm) | WT |



* = PLAIN END
ST = SOIL TIGHT
WT = WATER TIGHT

NOTE: ALL FITTINGS DIMENSIONS ARE FOR REFERENCE ONLY

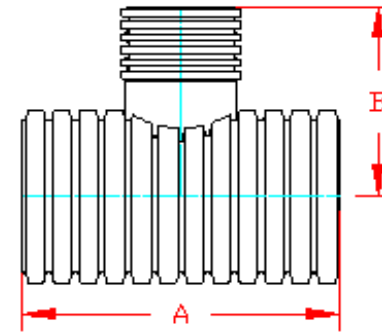
© 2021 Advanced Drainage Systems, Inc.



| | | |
|--------------|-------|----------|
| DRAWING #: | 2400A | |
| DRAWN BY: | JCB | 05.22.06 |
| APPROVED BY: | JCB | 06.26.07 |
| REVISIONS: | TJR | 2/2/2010 |
| | | |
| | | |

DUAL WALL FABRICATED REDUCING TEES
6" x 4" - 10" x 8" DIAMETER

| PART # | PIPE SIZE | A | B | JOINT |
|-----------|-----------------------------|---------------------|---------------------|-------|
| ** 0660AN | 6 x 4 in (150 x 100 mm) | 14.7 in (374 mm) | 9.9 in (252 mm) | * |
| ** 0860AN | 8 x 4 in (200 x 100 mm) | 17.3 in (439 mm) | 11.2 in (285 mm) | * |
| ** 0861AN | 8 x 4 in (200 x 150 mm) | 20.2 in (512 mm) | 11.5 in (293 mm) | * |
| ** 1060AN | 10 x 4 in (250 x 100 mm) | 20.2 in (512 mm) | 11.3 in (286 mm) | * |
| ** 1061AN | 10 x 6 in (250 x 150 mm) | 20.2 in (512 mm) | 13.1 in (332 mm) | * |
| ** 1062AN | 10 x 8 in (250 x 200 mm) | 22.7 in (576 mm) | 15.2 in (385 mm) | * |



PLAIN END

* = PLAIN END
 ST = SOIL TIGHT
 WT = WATER TIGHT
 ** LIMITED AVAILABILITY. PLEASE SEE INJECTION MOLDED FITTING SECTION FOR OTHER AVAILABLE FITTINGS

NOTE: ALL FITTINGS DIMENSIONS ARE FOR REFERENCE ONLY

© 2021 Advanced Drainage Systems, Inc.

| | | |
|--|--------------|--------------|
|  Advanced Drainage Systems, Inc. | DRAWING #: | 2402 |
| | DRAWN BY: | NJP 08.31.06 |
| | APPROVED BY: | JCB 06.26.07 |
| | REVISIONS: | TJR 2/2/2010 |
| | | |

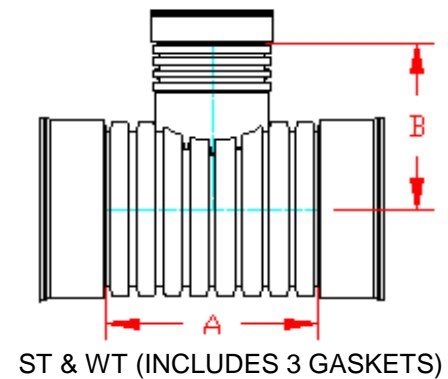
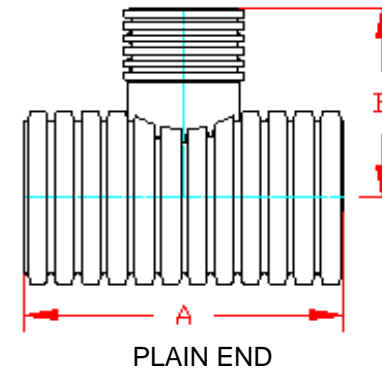
DUAL WALL FABRICATED REDUCING TEES 12"x4" - 12"x10" DIAMETER

| PART # | PIPE SIZE | A | B | JOINT |
|-----------|------------------------------|---------------------|---------------------|-------|
| 1260AN | 12 x 4 in (300 x 100 mm) | 21.1 in (536 mm) | 13.6 in (345 mm) | * |
| 1260AN85B | 12 x 4 in (300 x 100 mm) | 13.4 in (341 mm) | 12.3 in (312 mm) | ST |
| 1260AN65B | 12 x 4 in (300 x 100 mm) | 13.4 in (341 mm) | 12.3 in (312 mm) | WT |
| 1261AN | 12 x 6 in (300 x 150 mm) | 23.0 in (585 mm) | 14.5 in (368 mm) | * |
| 1261AN85B | 12 x 6 in (300 x 150 mm) | 15.4 in (390 mm) | 12.9 in (329 mm) | ST |
| 1261AN65B | 12 x 6 in (300 x 150 mm) | 15.4 in (390 mm) | 12.9 in (329 mm) | WT |
| 1262AN | 12 x 8 in (300 x 200 mm) | 25.0 in (634 mm) | 17.0 in (432 mm) | * |
| 1262AN85B | 12 x 8 in (300 x 200 mm) | 17.3 in (439 mm) | 15.1 in (383 mm) | ST |
| 1262AN65B | 12 x 8 in (300 x 200 mm) | 17.3 in (439 mm) | 15.1 in (383 mm) | WT |
| 1263AN | 12 x 10 in (300 x 250 mm) | 26.9 in (683 mm) | 16.4 in (416 mm) | * |
| 1263AN85B | 12 x 10 in (300 x 250 mm) | 19.2 in (488 mm) | 13.9 in (352 mm) | ST |
| 1263AN65B | 12 x 10 in (300 x 250 mm) | 19.2 in (488 mm) | 13.9 in (352 mm) | WT |

* = PLAIN END
ST = SOIL TIGHT
WT = WATER TIGHT

NOTE: ALL FITTINGS DIMENSIONS ARE FOR REFERENCE ONLY

© 2021 Advanced Drainage Systems, Inc.



| | | |
|--------------|------|----------|
| DRAWING #: | 2405 | |
| DRAWN BY: | NJP | 08.31.06 |
| APPROVED BY: | JCB | 06.26.07 |
| REVISIONS: | NJP | 06.14.07 |
| | | |
| | | |

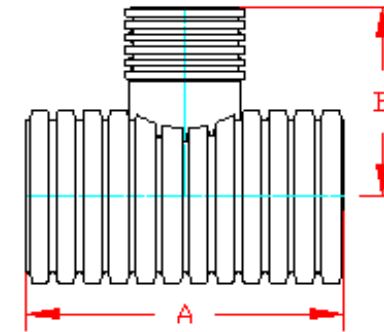
DUAL WALL FABRICATED REDUCING TEES 15"x4" - 15"x12 DIAMETER

| PART # | PIPE SIZE | A | B | JOINT |
|-----------|------------------------------|---------------------|---------------------|-------|
| 1560AN | 15 x 4 in (375 x 100 mm) | 25.9 in (658 mm) | 15.1 in (384 mm) | * |
| 1560AN85B | 15 x 4 in (375 x 100 mm) | 15.5 in (395 mm) | 13.8 in (350 mm) | ST |
| 1560AN65B | 15 x 4 in (375 x 100 mm) | 15.5 in (395 mm) | 13.8 in (350 mm) | WT |
| 1561AN | 15 x 6 in (375 x 150 mm) | 28.5 in (724 mm) | 16.1 in (409 mm) | * |
| 1561AN85B | 15 x 6 in (375 x 150 mm) | 18.1 in (461 mm) | 14.6 in (370 mm) | ST |
| 1561AN65B | 15 x 6 in (375 x 150 mm) | 18.1 in (461 mm) | 14.6 in (370 mm) | WT |
| 1562AN | 15 x 8 in (375 x 200 mm) | 31.1 in (789 mm) | 18.8 in (479 mm) | * |
| 1562AN85B | 15 x 8 in (375 x 200 mm) | 20.7 in (526 mm) | 16.9 in (430 mm) | ST |
| 1562AN65B | 15 x 8 in (375 x 200 mm) | 20.7 in (526 mm) | 16.9 in (430 mm) | WT |
| 1563AN | 15 x 10 in (375 x 250 mm) | 33.7 in (855 mm) | 18.8 in (477 mm) | * |
| 1563AN85B | 15 x 10 in (375 x 250 mm) | 23.3 in (592 mm) | 16.3 in (413 mm) | ST |
| 1563AN65B | 15 x 10 in (375 x 250 mm) | 23.3 in (592 mm) | 16.3 in (413 mm) | WT |
| 1564AN | 15 x 12 in (375 x 300 mm) | 36.3 in (921 mm) | 18.0 in (457 mm) | * |
| 1564AN85B | 15 x 12 in (375 x 300 mm) | 25.9 in (658 mm) | 14.1 in (359 mm) | ST |
| 1564AN65B | 15 x 12 in (375 x 300 mm) | 25.9 in (658 mm) | 14.1 in (359 mm) | WT |

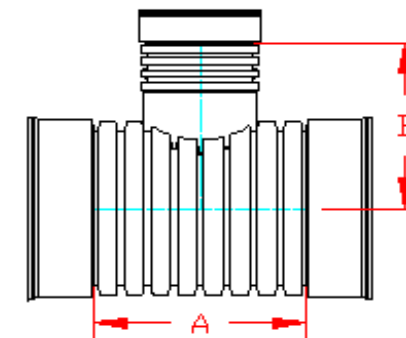
* = PLAIN END
ST = SOIL TIGHT
WT = WATER TIGHT

NOTE: ALL FITTINGS DIMENSIONS ARE FOR REFERENCE ONLY

© 2021 Advanced Drainage Systems, Inc.



PLAIN END



ST & WT (INCLUDES 3 GASKETS)



| | | |
|--------------|------|----------|
| DRAWING #: | 2410 | |
| DRAWN BY: | JCB | 04.30.06 |
| APPROVED BY: | JCB | 06.26.07 |
| REVISIONS: | NJP | 06.14.07 |

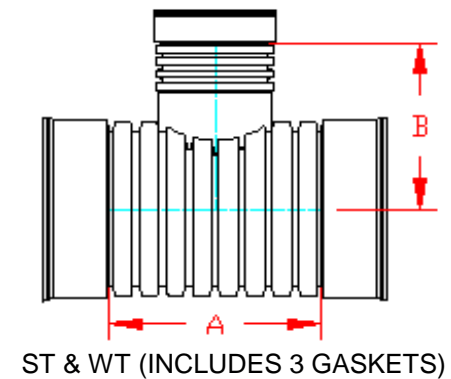
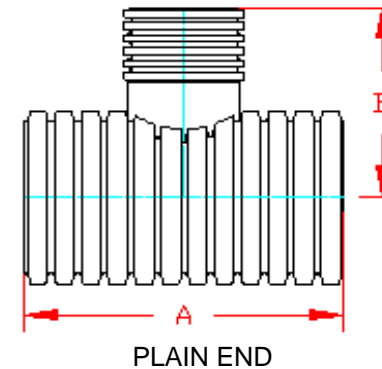
DUAL WALL FABRICATED REDUCING TEES 18"x4" - 18"x10" DIAMETER

| PART # | PIPE SIZE | A | B | JOINT |
|-----------|------------------------------|---------------------|---------------------|-------|
| 1860AN | 18 x 4 in (450 x 100 mm) | 26.8 in (681 mm) | 16.7 in (424 mm) | * |
| 1860AN85B | 18 x 4 in (450 x 100 mm) | 16.1 in (408 mm) | 15.4 in (391 mm) | ST |
| 1860AN65B | 18 x 4 in (450 x 100 mm) | 16.1 in (408 mm) | 15.4 in (391 mm) | WT |
| 1861AN | 18 x 6 in (450 x 150 mm) | 29.5 in (749 mm) | 17.8 in (452 mm) | * |
| 1861AN85B | 18 x 6 in (450 x 150 mm) | 18.8 in (477 mm) | 16.3 in (413 mm) | ST |
| 1861AN65B | 18 x 6 in (450 x 150 mm) | 18.8 in (477 mm) | 16.3 in (413 mm) | WT |
| 1862AN | 18 x 8 in (450 x 200 mm) | 32.2 in (817 mm) | 20.7 in (525 mm) | * |
| 1862AN85B | 18 x 8 in (450 x 200 mm) | 21.4 in (545 mm) | 18.7 in (476 mm) | ST |
| 1862AN65B | 18 x 8 in (450 x 200 mm) | 21.4 in (545 mm) | 18.7 in (476 mm) | WT |
| 1863AN | 18 x 10 in (450 x 250 mm) | 34.8 in (885 mm) | 20.8 in (529 mm) | * |
| 1863AN85B | 18 x 10 in (450 x 250 mm) | 24.1 in (613 mm) | 18.3 in (465 mm) | ST |
| 1863AN65B | 18 x 10 in (450 x 250 mm) | 24.1 in (613 mm) | 18.3 in (465 mm) | WT |

* = PLAIN END
ST = SOIL TIGHT
WT = WATER TIGHT

NOTE: ALL FITTINGS DIMENSIONS ARE FOR REFERENCE ONLY

© 2021 Advanced Drainage Systems, Inc.

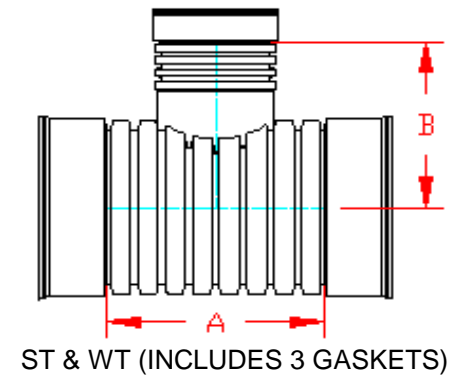
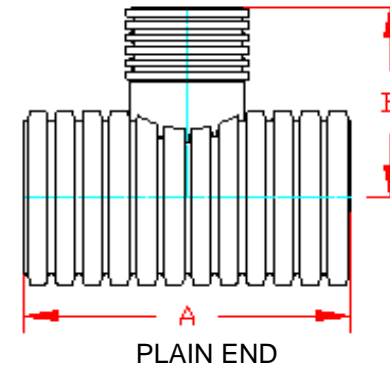


| | | |
|--------------|------|----------|
| DRAWING #: | 2415 | |
| DRAWN BY: | JCB | 04.30.06 |
| APPROVED BY: | JCB | 06.26.07 |
| REVISIONS: | NJP | 06.14.07 |
| | | |
| | | |

DUAL WALL FABRICATED REDUCING TEES 18"x12" - 18"x15" DIAMETER

| PART # | PIPE SIZE | A | B | JOINT |
|-----------|------------------------------|----------------------|---------------------|-------|
| 1864AN | 18 x 12 in (450 x 300 mm) | 37.5 in (953 mm) | 19.3 in (490 mm) | * |
| 1864AN85B | 18 x 12 in (450 x 300 mm) | 26.8 in (681 mm) | 15.5 in (393 mm) | ST |
| 1864AN65B | 18 x 12 in (450 x 300 mm) | 26.8 in (681 mm) | 15.5 in (393 mm) | WT |
| 1865AN | 18 x 15 in (450 x 375 mm) | 40.2 in (1021 mm) | 22.8 in (578 mm) | * |
| 1865AN85B | 18 x 15 in (450 x 1375mm) | 29.5 in (749 mm) | 17.6 in (446 mm) | ST |
| 1865AN65B | 18 x 15 in (450 x 375 mm) | 29.5 in (749 mm) | 17.6 in (446 mm) | WT |

* = PLAIN END
ST = SOIL TIGHT
WT = WATER TIGHT



NOTE: ALL FITTINGS DIMENSIONS ARE FOR REFERENCE ONLY

© 2021 Advanced Drainage Systems, Inc.



| | | |
|--------------|-------|----------|
| DRAWING #: | 2415A | |
| DRAWN BY: | NJP | 08.31.06 |
| APPROVED BY: | JCB | 06.26.07 |
| REVISIONS: | NJP | 06.14.07 |
| | | |

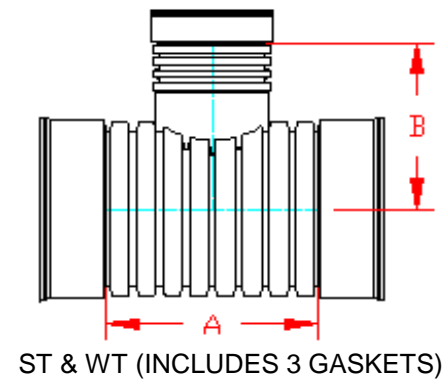
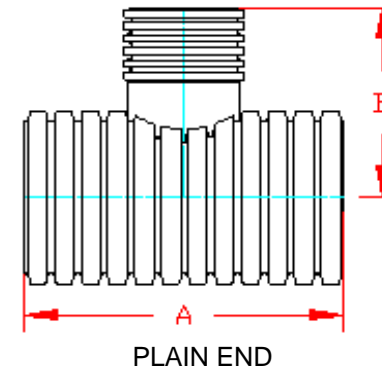
DUAL WALL FABRICATED REDUCING TEES 24"x4" - 24"x10" DIAMETER

| PART # | PIPE SIZE | A | B | JOINT |
|-----------|------------------------------|---------------------|---------------------|-------|
| 2460AN | 24 x 4 in (600 x 100 mm) | 31.5 in (800 mm) | 19.8 in (503 mm) | * |
| 2460AN85B | 24 x 4 in (600 x 100 mm) | 18.9 in (480 mm) | 18.5 in (469 mm) | ST |
| 2460AN65B | 24 x 4 in (600 x 100 mm) | 18.9 in (480 mm) | 18.5 in (469 mm) | WT |
| 2461AN | 24 x 6 in (600 x 150 mm) | 34.7 in (880 mm) | 21.0 in (533 mm) | * |
| 2461AN85B | 24 x 6 in (600 x 150 mm) | 22.1 in (560 mm) | 19.4 in (494 mm) | ST |
| 2461AN65B | 24 x 6 in (600 x 150 mm) | 22.1 in (560 mm) | 19.4 in (494 mm) | WT |
| 2462AN | 24 x 8 in (600 x 200 mm) | 34.7 in (880 mm) | 24.0 in (609 mm) | * |
| 2462AN85B | 24 x 8 in (600 x 200 mm) | 22.1 in (560 mm) | 22.0 in (560 mm) | ST |
| 2462AN65B | 24 x 8 in (600 x 200 mm) | 22.1 in (560 mm) | 22.0 in (560 mm) | WT |
| 2463AN | 24 x 10 in (600 x 250 mm) | 37.8 in (960 mm) | 24.3 in (618 mm) | * |
| 2463AN85B | 24 x 10 in (600 x 250 mm) | 25.2 in (640 mm) | 21.8 in (554 mm) | ST |
| 2463AN65B | 24 x 10 in (600 x 250 mm) | 25.2 in (640 mm) | 21.8 in (554 mm) | WT |

* = PLAIN END
ST = SOIL TIGHT
WT = WATER TIGHT

NOTE: ALL FITTINGS DIMENSIONS ARE FOR REFERENCE ONLY

© 2021 Advanced Drainage Systems, Inc.

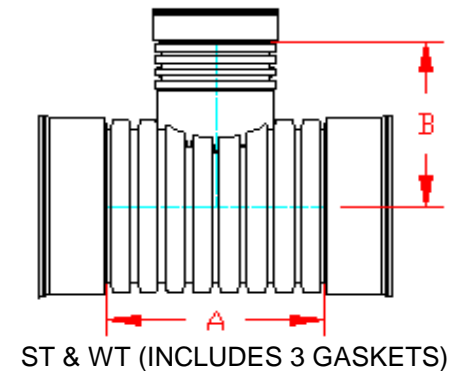
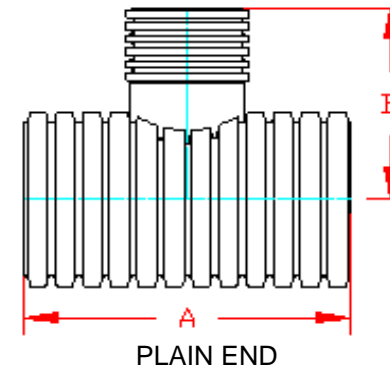


| | | |
|--------------|------|----------|
| DRAWING #: | 2420 | |
| DRAWN BY: | NJP | 09.06.06 |
| APPROVED BY: | JCB | 06.26.07 |
| REVISIONS: | NJP | 06.14.07 |
| | | |
| | | |

DUAL WALL FABRICATED REDUCING TEES
24"x12" - 24"x18" DIAMETER

| PART # | PIPE SIZE | A | B | JOINT |
|-----------|------------------------------|----------------------|---------------------|-------|
| 2464AN | 24 x 12 in (600 x 300 mm) | 41.0 in (1040 mm) | 23.1 in (587 mm) | * |
| 2464AN85B | 24 x 12 in (600 x 300 mm) | 28.4 in (720 mm) | 19.3 in (489 mm) | ST |
| 2464AN65B | 24 x 12 in (600 x 300 mm) | 28.4 in (720 mm) | 19.3 in (489 mm) | WT |
| 2465AN | 24 x 15 in (600 x 375 mm) | 44.1 in (1120 mm) | 26.6 in (674 mm) | * |
| 2465AN85B | 24 x 15 in (600 x 375 mm) | 31.5 in (800 mm) | 21.4 in (543 mm) | ST |
| 2465AN65B | 24 x 15 in (600 x 375 mm) | 31.5 in (800 mm) | 21.4 in (543 mm) | WT |
| 2466AN | 24 x 18 in (600 x 450 mm) | 47.3 in (1200 mm) | 26.6 in (674 mm) | * |
| 2466AN85B | 24 x 18 in (600 x 450 mm) | 34.7 in (880 mm) | 21.2 in (538 mm) | ST |
| 2466AN65B | 24 x 18 in (600 x 450 mm) | 34.7 in (880 mm) | 21.2 in (538 mm) | WT |

* = PLAIN END
 ST = SOIL TIGHT
 WT = WATER TIGHT



NOTE: ALL FITTINGS DIMENSIONS ARE FOR REFERENCE ONLY

© 2021 Advanced Drainage Systems, Inc.



Advanced Drainage Systems, Inc.

| | | |
|--------------|-------|----------|
| DRAWING #: | 2420A | |
| DRAWN BY: | JCB | 04.30.06 |
| APPROVED BY: | JCB | 06.26.07 |
| REVISIONS: | NJP | 06.14.07 |
| | | |
| | | |

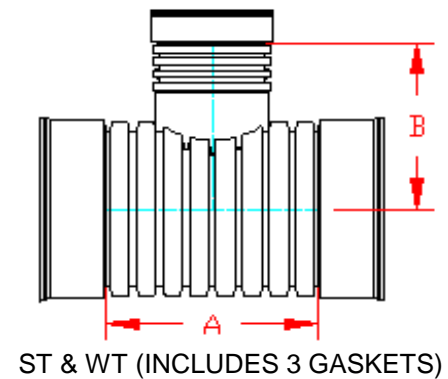
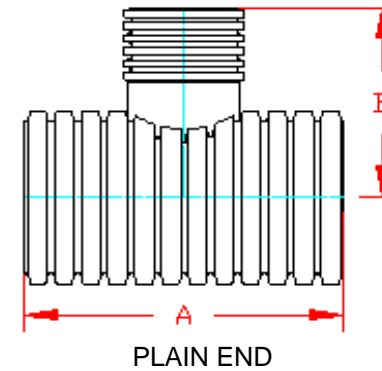
DUAL WALL FABRICATED REDUCING TEES 30"x4" - 30"x10" DIAMETER

| PART # | PIPE SIZE | A | B | JOINT |
|-----------|------------------------------|----------------------|---------------------|-------|
| 3060AN | 30 x 4 in (750 x 100 mm) | 41.2 in (1046 mm) | 23.8 in (604 mm) | * |
| 3060AN85B | 30 x 4 in (750 x 100 mm) | 24.7 in (627 mm) | 22.5 in (571 mm) | ST |
| 3060AN65B | 30 x 4 in (750 x 100 mm) | 24.7 in (627 mm) | 22.5 in (571 mm) | WT |
| 3061AN | 30 x 6 in (750 x 150 mm) | 41.2 in (1046 mm) | 25.0 in (636 mm) | * |
| 3061AN85B | 30 x 6 in (750 x 150 mm) | 24.7 in (628 mm) | 23.5 in (596 mm) | ST |
| 3061AN65B | 30 x 6 in (750 x 150 mm) | 24.7 in (628 mm) | 23.5 in (596 mm) | WT |
| 3062AN | 30 x 8 in (750 x 200 mm) | 45.3 in (1151 mm) | 27.1 in (688 mm) | * |
| 3062AN85B | 30 x 8 in (750 x 200 mm) | 28.8 in (733 mm) | 25.2 in (639 mm) | ST |
| 3062AN65B | 30 x 8 in (750 x 200 mm) | 28.8 in (733 mm) | 25.2 in (639 mm) | WT |
| 3063AN | 30 x 10 in (750 x 250 mm) | 45.3 in (1151 mm) | 27.6 in (700 mm) | * |
| 3063AN85B | 30 x 10 in (750 x 250 mm) | 28.8 in (733 mm) | 27.0 in (687 mm) | ST |
| 3063AN65B | 30 x 10 in (750 x 250 mm) | 28.8 in (733 mm) | 25.0 in (636 mm) | WT |

* = PLAIN END
ST = SOIL TIGHT
WT = WATER TIGHT

NOTE: ALL FITTINGS DIMENSIONS ARE FOR REFERENCE ONLY

© 2021 Advanced Drainage Systems, Inc.



| | | |
|--------------|------|----------|
| DRAWING #: | 2425 | |
| DRAWN BY: | NJP | 09.07.06 |
| APPROVED BY: | JCB | 06.26.07 |
| REVISIONS: | NJP | 06.14.07 |
| | | |
| | | |

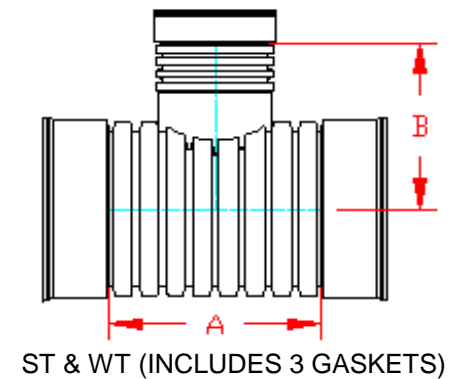
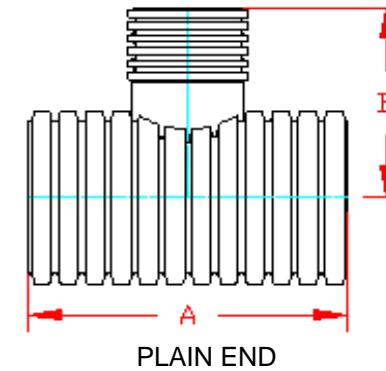
DUAL WALL FABRICATED REDUCING TEES 30"x12" - 30"x24" DIAMETER

| PART # | PIPE SIZE | A | B | JOINT |
|-----------|------------------------------|----------------------|---------------------|-------|
| 3064AN | 30 x 12 in (750 x 300 mm) | 49.4 in (1256 mm) | 26.8 in (679 mm) | * |
| 3064AN85B | 30 x 12 in (750 x 300 mm) | 33.0 in (837 mm) | 22.9 in (582 mm) | ST |
| 3064AN65B | 30 x 12 in (750 x 300 mm) | 33.0 in (837 mm) | 22.9 in (582 mm) | WT |
| 3065AN | 30 x 15 in (750 x 375 mm) | 53.6 in (1360 mm) | 30.2 in (767 mm) | * |
| 3065AN85B | 30 x 15 in (750 x 1375mm) | 37.1 in (942 mm) | 25.0 in (636 mm) | ST |
| 3065AN65B | 30 x 15 in (750 x 375 mm) | 37.1 in (942 mm) | 25.0 in (636 mm) | WT |
| 3066AN | 30 x 18 in (750 x 450 mm) | 57.7 in (1465 mm) | 30.2 in (767 mm) | * |
| 3066AN85B | 30 x 18 in (750 x 450 mm) | 41.2 in (1046 mm) | 24.8 in (631 mm) | ST |
| 3066AN65B | 30 x 18 in (750 x 450 mm) | 41.2 in (1046 mm) | 24.8 in (631 mm) | WT |
| 3067AN | 30 x 24 in (750 x 600 mm) | 61.8 in (1570 mm) | 33.1 in (841 mm) | * |
| 3067AN85B | 30 x 24 in (750 x 600 mm) | 45.3 in (1151 mm) | 26.8 in (681 mm) | ST |
| 3067AN65B | 30 x 24 in (750 x 600 mm) | 45.3 in (1151 mm) | 26.8 in (681 mm) | WT |

* = PLAIN END
ST = SOIL TIGHT
WT = WATER TIGHT

NOTE: ALL FITTINGS DIMENSIONS ARE FOR REFERENCE ONLY

© 2021 Advanced Drainage Systems, Inc.



| | |
|--------------|--------------|
| DRAWING #: | 2425A |
| DRAWN BY: | NJP 09.07.06 |
| APPROVED BY: | JCB 06.26.07 |
| REVISIONS: | NJP 06.14.07 |
| | |
| | |

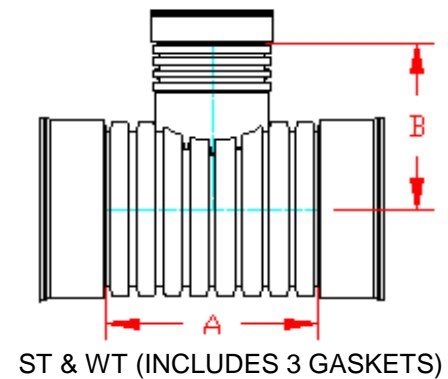
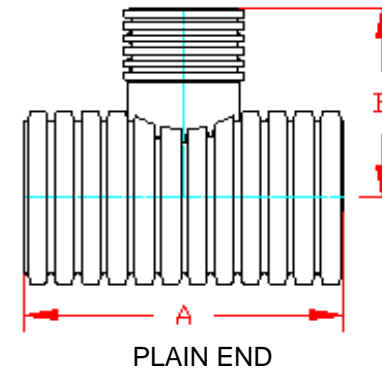
DUAL WALL FABRICATED REDUCING TEES 36"x4" - 36"x10" DIAMETER

| PART # | PIPE SIZE | A | B | JOINT |
|-----------|------------------------------|----------------------|---------------------|-------|
| 3660AN | 36 x 4 in (900 x 100 mm) | 36.8 in (933 mm) | 26.8 in (681 mm) | * |
| 3660AN85B | 36 x 4 in (900 x 100 mm) | 15.8 in (400 mm) | 24.8 in (631 mm) | ST |
| 3660AN65B | 36 x 4 in (900 x 100 mm) | 15.8 in (400 mm) | 24.8 in (631 mm) | WT |
| 3661AN | 36 x 6 in (900 x 150 mm) | 42.0 in (1067 mm) | 28.1 in (713 mm) | * |
| 3661AN85B | 36 x 6 in (900 x 150 mm) | 21.0 in (533 mm) | 25.8 in (655 mm) | ST |
| 3661AN65B | 36 x 6 in (900 x 150 mm) | 21.0 in (533 mm) | 25.8 in (655 mm) | WT |
| 3662AN | 36 x 8 in (900 x 200 mm) | 42.0 in (1067 mm) | 30.2 in (767 mm) | * |
| 3662AN85B | 36 x 8 in (900 x 200 mm) | 21.0 in (533 mm) | 27.3 in (694 mm) | ST |
| 3662AN65 | 36 x 8 in (900 x 200 mm) | 21.0 in (533 mm) | 27.3 in (694 mm) | WT |
| 3663AN | 36 x 10 in (900 x 250 mm) | 47.3 in (1200 mm) | 30.7 in (781 mm) | * |
| 3663AN85B | 36 x 10 in (900 x 250 mm) | 26.3 in (667 mm) | 27.0 in (685 mm) | ST |
| 3663AN65B | 36 x 10 in (900 x 250 mm) | 26.3 in (667 mm) | 27.0 in (685 mm) | WT |

* = PLAIN END
ST = SOIL TIGHT
WT = WATER TIGHT

NOTE: ALL FITTINGS DIMENSIONS ARE FOR REFERENCE ONLY

© 2021 Advanced Drainage Systems, Inc.



| | | |
|--------------|------|----------|
| DRAWING #: | 2430 | |
| DRAWN BY: | NJP | 09.19.06 |
| APPROVED BY: | JCB | 06.26.07 |
| REVISIONS: | NJP | 06.14.07 |
| | | |
| | | |

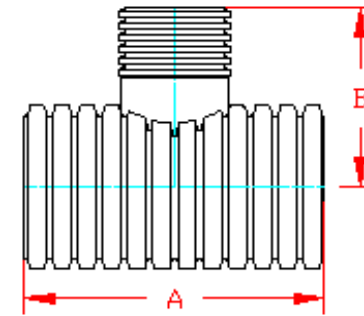
DUAL WALL FABRICATED REDUCING TEES 36"x12" - 36"x30" DIAMETER

| PART # | PIPE SIZE | A | B | JOINT |
|-----------|------------------------------|----------------------|---------------------|-------|
| 3664AN | 36 x 12 in (900 x 300 mm) | 47.3 in (1200 mm) | 30.1 in (764 mm) | * |
| 3664AN85B | 36 x 12 in (900 x 300 mm) | 26.3 in (667 mm) | 24.3 in (618 mm) | ST |
| 3664AN65B | 36 x 12 in (900 x 300 mm) | 26.3 in (667 mm) | 24.3 in (618 mm) | WT |
| 3665AN | 36 x 15 in (900 x 375 mm) | 52.5 in (1334 mm) | 33.5 in (852 mm) | * |
| 3665AN85B | 36 x 15 in (900 x 1375mm) | 31.5 in (800 mm) | 25.8 in (655 mm) | ST |
| 3665AN65B | 36 x 15 in (900 x 375 mm) | 31.5 in (800 mm) | 25.8 in (655 mm) | WT |
| 3666AN | 36 x 18 in (900 x 450 mm) | 57.8 in (1467 mm) | 33.5 in (852 mm) | * |
| 3666AN85B | 36 x 18 in (900 x 450mm) | 36.8 in (933 mm) | 25.5 in (648 mm) | ST |
| 3666AN65B | 36 x 18 in (900 x 450 mm) | 36.8 in (933 mm) | 25.5 in (648 mm) | WT |
| 3667AN | 36 x 24 in (900 x 600 mm) | 63.0 in (1600 mm) | 36.4 in (926 mm) | * |
| 3667AN85B | 36 x 24 in (900 x 600mm) | 42.0 in (1067 mm) | 27.0 in (686 mm) | ST |
| 3667AN65B | 36 x 24 in (900 x 600 mm) | 42.0 in (1067 mm) | 27.0 in (686 mm) | WT |
| 3668AN | 36 x 30 in (900 x 750 mm) | 68.3 in (1734 mm) | 37.4 in (949 mm) | * |
| 3668AN85B | 36 x 30 in (900 x 750mm) | 47.3 in (1200 mm) | 25.0 in (635 mm) | ST |
| 3668AN65B | 36 x 30 in (900 x 750 mm) | 47.3 in (1200 mm) | 25.0 in (635 mm) | WT |

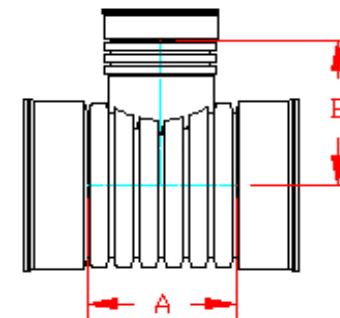
* = PLAIN END
ST = SOIL TIGHT
WT = WATER TIGHT

NOTE: ALL FITTINGS DIMENSIONS ARE FOR REFERENCE ONLY

© 2021 Advanced Drainage Systems, Inc.



PLAIN END



ST & WT (INCLUDES 3 GASKETS)



| | | |
|--------------|-------|----------|
| DRAWING #: | 2430A | |
| DRAWN BY: | JCB | 04.30.06 |
| APPROVED BY: | JCB | 06.26.07 |
| REVISIONS: | NJP | 06.14.07 |

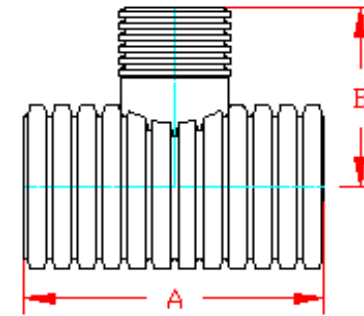
DUAL WALL FABRICATED REDUCING TEES 42"x4" - 42"x12" DIAMETER

| PART # | PIPE SIZE | A | B | JOINT |
|-----------|-------------------------------|----------------------|---------------------|-------|
| 4260AN | 42 x 4 in (1050 x 100 mm) | 36.3 in (923 mm) | 29.5 in (750 mm) | * |
| 4260AN85B | 42 x 4 in (1050 x 100 mm) | 15.6 in (395 mm) | 27.6 in (700 mm) | ST |
| 4260AN65B | 42 x 4 in (1050 x 100 mm) | 15.6 in (395 mm) | 27.6 in (700 mm) | WT |
| 4261AN | 42 x 6 in (1050 x 150 mm) | 41.5 in (1055 mm) | 30.8 in (783 mm) | * |
| 4261AN85B | 42 x 6 in (1050 x 150 mm) | 20.8 in (527 mm) | 28.5 in (724 mm) | ST |
| 4261AN65B | 42 x 6 in (1050 x 150 mm) | 20.8 in (527 mm) | 28.5 in (724 mm) | WT |
| 4262AN | 42 x 8 in (1050 x 200 mm) | 41.5 in (1055 mm) | 33.0 in (837 mm) | * |
| 4262AN85B | 42 x 8 in (1050 x 200 mm) | 20.8 in (527 mm) | 30.1 in (764 mm) | ST |
| 4262AN65B | 42 x 8 in (1050 x 200 mm) | 20.8 in (527 mm) | 30.1 in (764 mm) | WT |
| 4263AN | 42 x 10 in (1050 x 250 mm) | 46.7 in (1186 mm) | 33.6 in (852 mm) | * |
| 4263AN85B | 42 x 10 in (1050 x 250 mm) | 26.0 in (659 mm) | 29.8 in (756 mm) | ST |
| 4263AN65B | 42 x 10 in (1050 x 250 mm) | 26.0 in (659 mm) | 29.8 in (756 mm) | WT |
| 4264AN | 42 x 12 in (1050 x 300 mm) | 46.7 in (1186 mm) | 33.2 in (843 mm) | * |
| 4264AN85B | 42 x 12 in (1050 x 300 mm) | 26.0 in (659 mm) | 27.4 in (696 mm) | ST |
| 4264AN65B | 42 x 12 in (1050 x 300 mm) | 26.0 in (659 mm) | 27.4 in (696 mm) | WT |

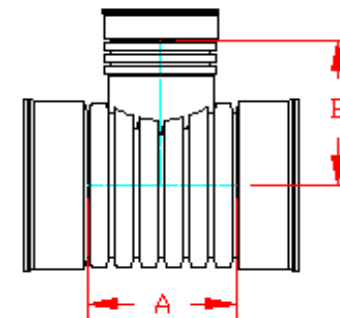
* = PLAIN END
ST = SOIL TIGHT
WT = WATER TIGHT

NOTE: ALL FITTINGS DIMENSIONS ARE FOR REFERENCE ONLY

© 2021 Advanced Drainage Systems, Inc.



PLAIN END



ST & WT (INCLUDES 3 GASKETS)



| | | |
|--------------|------|----------|
| DRAWING #: | 2435 | |
| DRAWN BY: | JCB | 04.30.06 |
| APPROVED BY: | JCB | 06.26.07 |
| REVISIONS: | NJP | 06.14.07 |

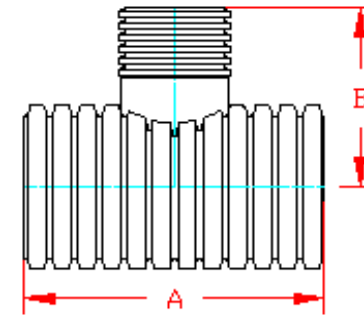
DUAL WALL FABRICATED REDUCING TEES 42"x15" - 42"x36" DIAMETER

| PART # | PIPE SIZE | A | B | JOINT |
|-----------|-------------------------------|----------------------|----------------------|-------|
| 4265AN | 42 x 15 in (1050 x 375 mm) | 51.9 in (1318 mm) | 36.6 in (930 mm) | * |
| 4265AN85B | 42 x 15 in (1050 x 375mm) | 31.1 in (791 mm) | 28.9 in (733 mm) | ST |
| 4265AN65B | 42 x 15 in (1050 x 375 mm) | 31.1 in (791 mm) | 28.9 in (733 mm) | WT |
| 4266AN | 42 x 18 in (1050 x 450 mm) | 57.1 in (1450 mm) | 36.6 in (930 mm) | * |
| 4266AN85B | 42 x 18 in (1050 x 450mm) | 36.3 in (923 mm) | 28.6 in (726 mm) | ST |
| 4266AN65 | 42 x 18 in (1050 x 450 mm) | 36.3 in (923 mm) | 28.6 in (726 mm) | WT |
| 4267AN | 42 x 24 in (1050 x 600 mm) | 62.3 in (1582 mm) | 39.5 in (1004 mm) | * |
| 4267AN85B | 42 x 24 in (1050 x 600 mm) | 41.5 in (1055 mm) | 30.1 in (764 mm) | ST |
| 4267AN65B | 42 x 24 in (1050 x 600 mm) | 41.5 in (1055 mm) | 30.1 in (764 mm) | WT |
| 4268AN | 42 x 30 in (1050 x 750 mm) | 67.5 in (1714 mm) | 40.5 in (1029 mm) | * |
| 4268AN85B | 42 x 30 in (1050 x 750 mm) | 46.7 in (1187 mm) | 28.1 in (715 mm) | ST |
| 4268AN65B | 42 x 30 in (1050 x 750 mm) | 46.7 in (1187 mm) | 28.1 in (715 mm) | WT |
| 4269AN | 42 x 36 in (1050 x 900 mm) | 77.9 in (1977 mm) | 44.5 in (1131 mm) | * |
| 4269AN85B | 42 x 36 in (1050 x 900 mm) | 57.1 in (1450 mm) | 28.8 in (731 mm) | ST |
| 4269AN65B | 42 x 36 in (1050 x 900 mm) | 57.1 in (1450 mm) | 28.8 in (731 mm) | WT |

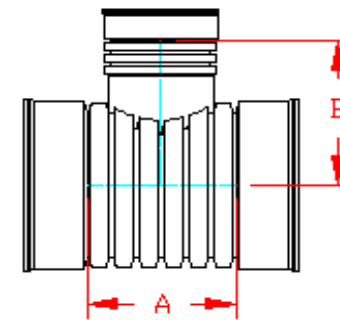
* = PLAIN END
ST = SOIL TIGHT
WT = WATER TIGHT

NOTE: ALL FITTINGS DIMENSIONS ARE FOR REFERENCE ONLY

© 2021 Advanced Drainage Systems, Inc.



PLAIN END



ST & WT (INCLUDES 3 GASKETS)



| | | |
|--------------|-------|----------|
| DRAWING #: | 2435A | |
| DRAWN BY: | NJP | 09.19.06 |
| APPROVED BY: | JCB | 06.26.07 |
| REVISIONS: | NJP | 06.14.07 |

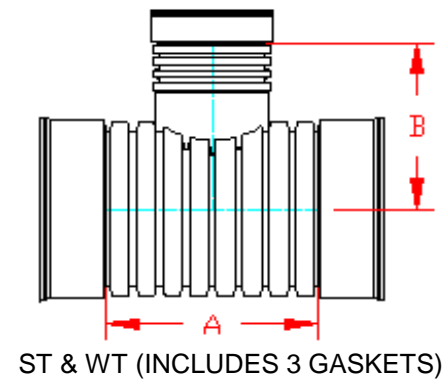
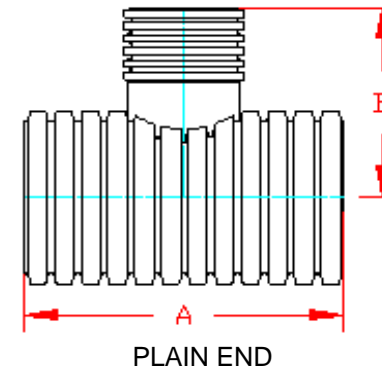
DUAL WALL FABRICATED REDUCING TEES 48"x4" - 48"x10" DIAMETER

| PART # | PIPE SIZE | A | B | JOINT |
|-----------|-------------------------------|----------------------|---------------------|-------|
| 4860AN | 48 x 4 in (1200 x 100 mm) | 36.8 in (933 mm) | 32.7 in (829 mm) | * |
| 4860AN85B | 48 x 4 in (1200 x 100 mm) | 15.8 in (400 mm) | 30.7 in (779 mm) | ST |
| 4860AN65B | 48 x 4 in (1200 x 100 mm) | 15.8 in (400 mm) | 30.7 in (779 mm) | WT |
| 4861AN | 48 x 6 in (1200 x 150 mm) | 42.0 in (1067 mm) | 34.0 in (863 mm) | * |
| 4861AN85B | 48 x 6 in (1200 x 150 mm) | 21.0 in (533 mm) | 31.7 in (804 mm) | ST |
| 4861AN65B | 48 x 6 in (1200 x 150 mm) | 21.0 in (533 mm) | 31.7 in (804 mm) | WT |
| 4862AN | 48 x 8 in (1200 x 200 mm) | 42.0 in (1067 mm) | 36.1 in (918 mm) | * |
| 4862AN85B | 48 x 8 in (1200 x 200 mm) | 21.0 in (533 mm) | 33.3 in (845 mm) | ST |
| 4862AN65B | 48 x 8 in (1200 x 200 mm) | 21.0 in (533 mm) | 33.3 in (845 mm) | WT |
| 4863AN | 48 x 10 in (1200 x 250 mm) | 47.3 in (1200 mm) | 36.8 in (933 mm) | * |
| 4863AN85B | 48 x 10 in (1200 x 250 mm) | 26.3 in (667 mm) | 33.0 in (837 mm) | ST |
| 4863AN65B | 48 x 10 in (1200 x 250 mm) | 26.3 in (667 mm) | 33.0 in (837 mm) | WT |

* = PLAIN END
ST = SOIL TIGHT
WT = WATER TIGHT

NOTE: ALL FITTINGS DIMENSIONS ARE FOR REFERENCE ONLY

© 2021 Advanced Drainage Systems, Inc.



| | |
|--------------|--------------|
| DRAWING #: | 2440 |
| DRAWN BY: | JCB 05.01.06 |
| APPROVED BY: | JCB 07.16.07 |
| REVISIONS: | JCB 07.16.07 |
| | |
| | |

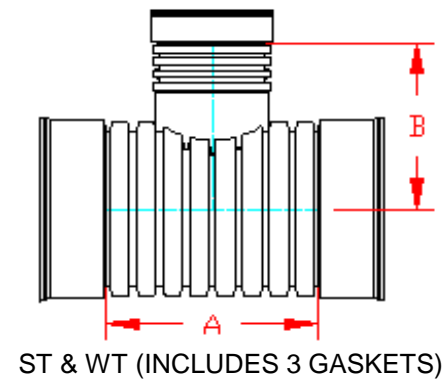
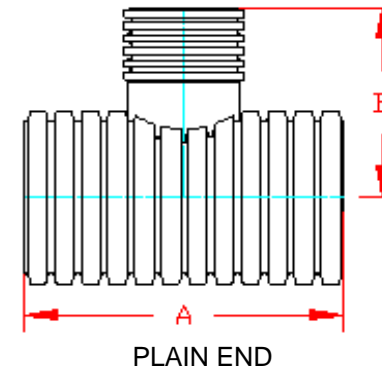
DUAL WALL FABRICATED REDUCING TEES 48"x12" - 48"x24" DIAMETER

| PART # | PIPE SIZE | A | B | JOINT |
|-----------|-------------------------------|----------------------|----------------------|-------|
| 4864AN | 48 x 12 in (1200 x 300 mm) | 47.3 in (1200 mm) | 36.2 in (919 mm) | * |
| 4864AN85B | 48 x 12 in (1200 x 300 mm) | 26.3 in (667 mm) | 30.4 in (773 mm) | ST |
| 4864AN65B | 48 x 12 in (1200 x 300 mm) | 26.3 in (667 mm) | 30.4 in (773 mm) | WT |
| 4865AN | 48 x 15 in (1200 x 375 mm) | 52.5 in (1334 mm) | 39.6 in (1007 mm) | * |
| 4865AN85B | 48 x 15 in (1200 x 375mm) | 31.5 in (800 mm) | 31.9 in (809 mm) | ST |
| 4865AN65B | 48 x 15 in (1200 x 375 mm) | 31.5 in (800 mm) | 31.9 in (809 mm) | WT |
| 4866AN | 48 x 18 in (1200 x 450 mm) | 57.8 in (1467 mm) | 39.6 in (1007 mm) | * |
| 4866AN85B | 48 x 18 in (1200 x 450mm) | 36.8 in (933 mm) | 31.6 in (802 mm) | ST |
| 4866AN65B | 48 x 18 in (1200 x 450 mm) | 36.8 in (933 mm) | 31.6 in (802 mm) | WT |
| 4867AN | 48 x 24 in (1200 x 600 mm) | 63.0 in (1600 mm) | 42.5 in (1080 mm) | * |
| 4867AN85B | 48 x 24 in (1200 x 600mm) | 42.0 in (1067 mm) | 33.1 in (840 mm) | ST |
| 4867AN65B | 48 x 24 in (1200 x 600 mm) | 42.0 in (1067 mm) | 33.1 in (840 mm) | WT |

* = PLAIN END
ST = SOIL TIGHT
WT = WATER TIGHT

NOTE: ALL FITTINGS DIMENSIONS ARE FOR REFERENCE ONLY

© 2021 Advanced Drainage Systems, Inc.

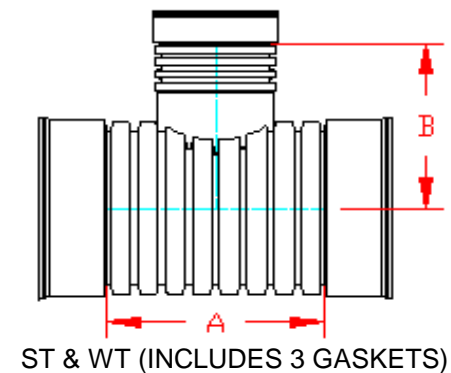
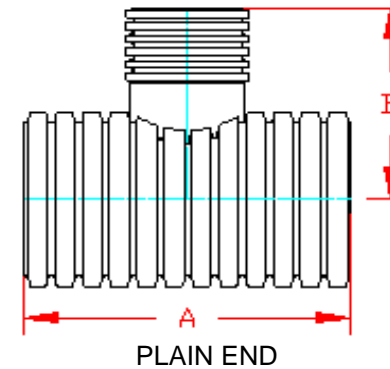


| | |
|--------------|--------------|
| DRAWING #: | 2440A |
| DRAWN BY: | JCB 05.01.06 |
| APPROVED BY: | JCB 06.26.07 |
| REVISIONS: | NJP 06.14.07 |
| | |
| | |

DUAL WALL FABRICATED REDUCING TEES
48"x30" - 48"x42" DIAMETER

| PART # | PIPE SIZE | A | B | JOINT |
|-----------|--------------------------------|----------------------|----------------------|-------|
| 4868AN | 48 x 30 in (1200 x 750 mm) | 68.3 in (1734 mm) | 43.5 in (1105 mm) | * |
| 4868AN85B | 48 x 30 in (1200 x 750mm) | 47.3 in (1200 mm) | 31.1 in (791 mm) | ST |
| 4868AN65B | 48 x 30 in (1200 x 750 mm) | 47.3 in (1200 mm) | 31.1 in (791 mm) | WT |
| 4869AN | 48 x 36 in (1200 x 900 mm) | 73.5 in (1867 mm) | 47.5 in (1208 mm) | * |
| 4869AN85B | 48 x 36 in (1200 x 900 mm) | 52.5 in (1334 mm) | 31.8 in (807 mm) | ST |
| 4869AN65B | 48 x 36 in (1200 x 900 mm) | 52.5 in (1334 mm) | 31.8 in (807 mm) | WT |
| 4840AN | 48 x 42 in (1200 x 1050 mm) | 84.0 in (2134 mm) | 47.8 in (1214 mm) | * |
| 4840AN85B | 48 x 42 in (1200 x 1050 mm) | 63.0 in (1600 mm) | 32.2 in (819 mm) | ST |
| 4840AN65B | 48 x 42 in (1200 x 1050 mm) | 63.0 in (1600 mm) | 32.2 in (819 mm) | WT |

* = PLAIN END
 ST = SOIL TIGHT
 WT = WATER TIGHT



NOTE: ALL FITTINGS DIMENSIONS ARE FOR REFERENCE ONLY

© 2021 Advanced Drainage Systems, Inc.



| | | |
|--------------|-------|----------|
| DRAWING #: | 2440B | |
| DRAWN BY: | JCB | 05.01.06 |
| APPROVED BY: | JCB | 06.26.07 |
| REVISIONS: | NJP | 06.14.07 |
| | | |

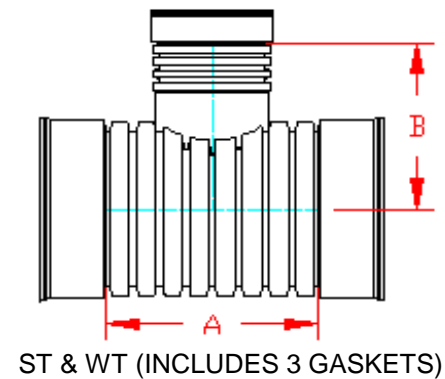
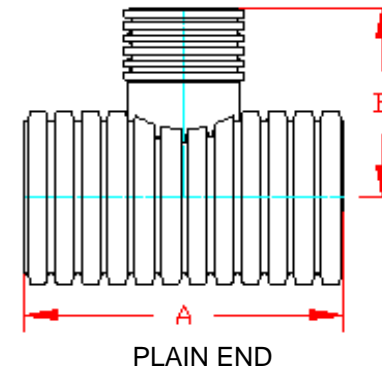
DUAL WALL FABRICATED REDUCING TEES 60"x4" - 60"x10" DIAMETER

| PART # | PIPE SIZE | A | B | JOINT |
|-----------|-------------------------------|----------------------|----------------------|-------|
| 6060AN | 60 x 4 in (1500 x 100 mm) | 42.0 in (1067 mm) | 39.0 in (991 mm) | * |
| 6060AN85B | 60 x 4 in (1500 x 100 mm) | 18.0 in (457 mm) | 37.0 in (940 mm) | ST |
| 6060AN65B | 60 x 4 in (1500 x 100 mm) | 18.0 in (457 mm) | 37.0 in (940 mm) | WT |
| 6061AN | 60 x 6 in (1500 x 150 mm) | 48.0 in (1219 mm) | 40.3 in (1024 mm) | * |
| 6061AN85B | 60 x 6 in (1500 x 150 mm) | 24.0 in (610 mm) | 38.0 in (965 mm) | ST |
| 6061AN65B | 60 x 6 in (1500 x 150 mm) | 24.0 in (610 mm) | 38.0 in (965 mm) | WT |
| 6062AN | 60 x 8 in (1500 x 200 mm) | 48.0 in (1219 mm) | 42.5 in (1079 mm) | * |
| 6062AN85B | 60 x 8 in (1500 x 200 mm) | 24.0 in (610 mm) | 39.6 in (1006 mm) | ST |
| 6062AN65B | 60 x 8 in (1500 x 200 mm) | 24.0 in (610 mm) | 39.6 in (1006 mm) | WT |
| 6063AN | 60 x 10 in (1500 x 250 mm) | 48.0 in (1219 mm) | 43.1 in (1095 mm) | * |
| 6063AN85B | 60 x 10 in (1500 x 250 mm) | 24.0 in (610 mm) | 39.3 in (999 mm) | ST |
| 6063AN65B | 60 x 10 in (1500 x 250 mm) | 24.0 in (610 mm) | 39.3 in (999 mm) | WT |

* = PLAIN END
ST = SOIL TIGHT
WT = WATER TIGHT

NOTE: ALL FITTINGS DIMENSIONS ARE FOR REFERENCE ONLY

© 2021 Advanced Drainage Systems, Inc.



| | |
|--------------|--------------|
| DRAWING #: | 2445 |
| DRAWN BY: | JCB 05.01.06 |
| APPROVED BY: | JCB 06.26.07 |
| REVISIONS: | NJP 06.14.07 |
| | |
| | |

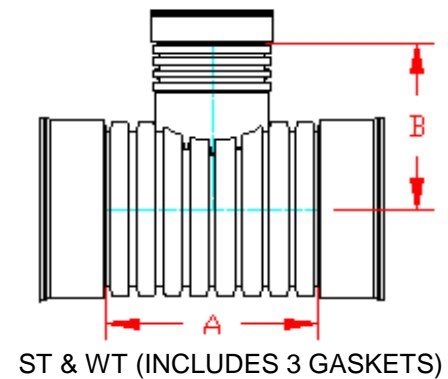
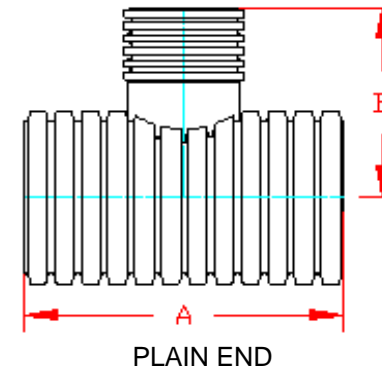
DUAL WALL FABRICATED REDUCING TEES 60"x12" - 60"x24" DIAMETER

| PART # | PIPE SIZE | A | B | JOINT |
|-----------|-------------------------------|----------------------|----------------------|-------|
| 6064AN | 60 x 12 in (1500 x 300 mm) | 54.0 in (1372 mm) | 42.5 in (1080 mm) | * |
| 6064AN85B | 60 x 12 in (1500 x 300 mm) | 30.0 in (762 mm) | 36.8 in (934 mm) | ST |
| 6064AN65B | 60 x 12 in (1500 x 300 mm) | 30.0 in (762 mm) | 36.8 in (934 mm) | WT |
| 6065AN | 60 x 15 in (1500 x 375 mm) | 54.0 in (1372 mm) | 46.0 in (1168 mm) | * |
| 6065AN85B | 60 x 15 in (1500 x 375mm) | 30.0 in (762 mm) | 38.2 in (971 mm) | ST |
| 6065AN65B | 60 x 15 in (1500 x 375 mm) | 30.0 in (762 mm) | 38.2 in (971 mm) | WT |
| 6066AN | 60 x 18 in (1500 x 450 mm) | 60.0 in (1524 mm) | 46.0 in (1168 mm) | * |
| 6066AN85B | 60 x 18 in (1500 x 450mm) | 36.0 in (914 mm) | 37.9 in (964 mm) | ST |
| 6066AN65B | 60 x 18 in (1500 x 450 mm) | 36.0 in (914 mm) | 37.9 in (964 mm) | WT |
| 6067AN | 60 x 24 in (1500 x 600 mm) | 66.0 in (1676 mm) | 48.9 in (1242 mm) | * |
| 6067AN85B | 60 x 24 in (1500 x 600mm) | 42.0 in (1067 mm) | 39.4 in (1002 mm) | ST |
| 6067AN65B | 60 x 24 in (1500 x 600 mm) | 42.0 in (1067 mm) | 39.4 in (1002 mm) | WT |

* = PLAIN END
ST = SOIL TIGHT
WT = WATER TIGHT

NOTE: ALL FITTINGS DIMENSIONS ARE FOR REFERENCE ONLY

© 2021 Advanced Drainage Systems, Inc.



| | |
|--------------|--------------|
| DRAWING #: | 2445A |
| DRAWN BY: | JCB 05.01.06 |
| APPROVED BY: | JCB 06.26.07 |
| REVISIONS: | NJP 06.14.07 |
| | |
| | |

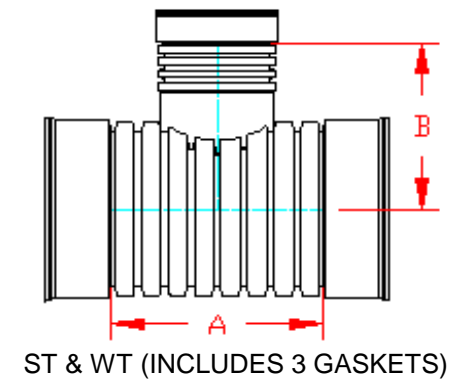
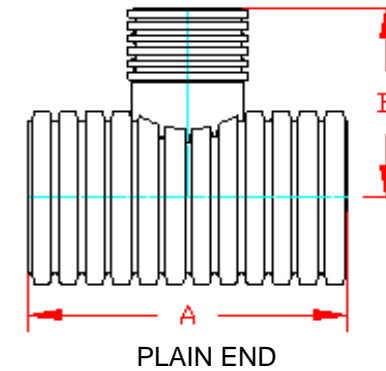
DUAL WALL FABRICATED REDUCING TEES
60"x30" - 60"x48" DIAMETER

| PART # | PIPE SIZE | A | B | JOINT |
|-----------|--------------------------------|----------------------|----------------------|-------|
| 6068AN | 60 x 30 in (1500 x 750 mm) | 72.0 in (1829 mm) | 49.9 in (1266 mm) | * |
| 6068AN85B | 60 x 30 in (1500 x 750 mm) | 48.0 in (1219 mm) | 37.5 in (952 mm) | ST |
| 6068AN65B | 60 x 30 in (1500 x 750 mm) | 48.0 in (1219 mm) | 37.5 in (952 mm) | WT |
| 6069AN | 60 x 36 in (1500 x 900 mm) | 78.0 in (1981 mm) | 53.9 in (1369 mm) | * |
| 6069AN85B | 60 x 36 in (1500 x 900 mm) | 54.0 in (1372 mm) | 37.1 in (943 mm) | ST |
| 6069AN65B | 60 x 36 in (1500 x 900 mm) | 54.0 in (1372 mm) | 38.1 in (969 mm) | WT |
| 6040AN | 60 x 42 in (1500 x 1050 mm) | 84.0 in (2134 mm) | 54.2 in (1375 mm) | * |
| 6040AN85B | 60 x 42 in (1500 x 1050 mm) | 60.0 in (1524 mm) | 38.6 in (980 mm) | ST |
| 6040AN65B | 60 x 42 in (1500 x 1050 mm) | 60.0 in (1524 mm) | 38.6 in (980 mm) | WT |
| 6041AN | 60 x 48 in (1500 x 1200 mm) | 90.0 in (2286 mm) | 57.2 in (1452 mm) | * |
| 6041AN85B | 60 x 48 in (1500 x 1200 mm) | 66.0 in (1676 mm) | 41.4 in (1052 mm) | ST |
| 6041AN65B | 60 x 48 in (1500 x 1200 mm) | 66.0 in (1676 mm) | 41.4 in (1052 mm) | WT |

* = PLAIN END
 ST = SOIL TIGHT
 WT = WATER TIGHT

NOTE: ALL FITTINGS DIMENSIONS ARE FOR REFERENCE ONLY

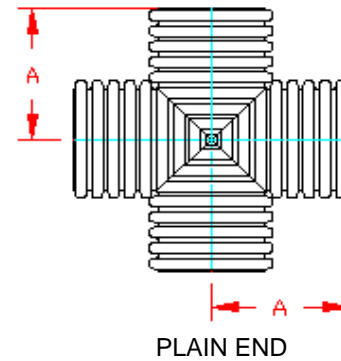
© 2021 Advanced Drainage Systems, Inc.



| | |
|--------------|--------------|
| DRAWING #: | 2445B |
| DRAWN BY: | JCB 05.01.06 |
| APPROVED BY: | JCB 06.26.07 |
| REVISIONS: | NJP 06.14.07 |
| | |
| | |

DUAL WALL FABRICATED CROSS TEE
4" - 24" DIAMETER

| PART # | PIPE SIZE | A | JOINT |
|--------|-------------------|---------------------|-------|
| 0430AN | 4 in (100 mm) | 4.9 in (125 mm) | * |
| 0631AN | 6 in (150 mm) | 7.0 in (177 mm) | * |
| 0832AN | 8 in (200 mm) | 8.6 in (219 mm) | * |
| 1033AN | 10 in (250 mm) | 12.0 in (304 mm) | * |
| 1234AN | 12 in (300 mm) | 16.3 in (415 mm) | * |
| 1535AN | 15 in (375 mm) | 19.4 in (494 mm) | * |
| 1836AN | 18 in (450 mm) | 24.1 in (613 mm) | * |
| 2437AN | 24 in (600 mm) | 29.9 in (760 mm) | * |



* = PLAIN END

NOTE: ALL FITTINGS DIMENSIONS ARE FOR REFERENCE ONLY

© 2021 Advanced Drainage Systems, Inc.

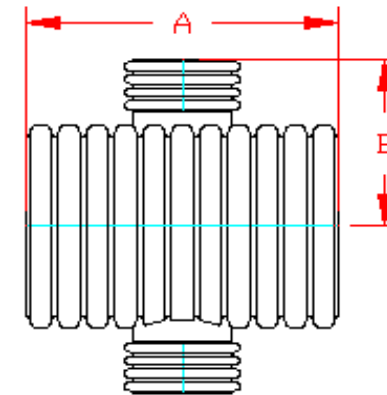


| | | |
|--------------|------|-----------|
| DRAWING #: | 2450 | |
| DRAWN BY: | JCB | 04.06.06 |
| APPROVED BY: | JCB | 06.26.07 |
| REVISIONS: | TJR | 4/28/2016 |
| | | |
| | | |

SMALL DIAMETER DUAL WALL FABRICATED REDUCING CROSS TEES
6" X 4" - 12" X 10" DIAMETER

REDUCING CROSS TEES

| PART # | PIPE SIZE | A | B | C | JOINT |
|-----------|------------------------------|---------------------|---------------------|---------------------|-------|
| ** 0630AN | 6 x 4 in (150 x 100 mm) | 14.7 in (374 mm) | 9.9 in (252 mm) | 14.7 in (374 mm) | * |
| ** 0830AN | 8 x 4 in (200 x 100 mm) | 17.3 in (439 mm) | 11.2 in (285 mm) | 17.3 in (439 mm) | * |
| ** 0831AN | 8 x 6 in (200 x 150 mm) | 20.2 in (512 mm) | 11.5 in (293 mm) | 20.2 in (512 mm) | * |
| ** 1030AN | 10 x 4 in (250 x 100 mm) | 20.2 in (512 mm) | 11.3 in (286 mm) | 20.2 in (512 mm) | * |
| ** 1031AN | 10 x 6 in (250 x 150 mm) | 20.2 in (512 mm) | 13.1 in (332 mm) | 20.2 in (512 mm) | * |
| ** 1032AN | 10 x 8 in (250 x 200 mm) | 22.7 in (576 mm) | 15.2 in (385 mm) | 22.7 in (576 mm) | * |
| 1230AN | 12 x 4 in (300 x 100 mm) | 30.7 in (780 mm) | 13.6 in (345 mm) | 30.7 in (780 mm) | * |
| 1231AN | 12 x 6 in (300 x 150 mm) | 30.7 in (780 mm) | 14.5 in (368 mm) | 30.7 in (780 mm) | * |
| 1232AN | 12 x 8 in (300 x 200 mm) | 30.7 in (780 mm) | 17.0 in (432 mm) | 30.7 in (780 mm) | * |
| 1233AN | 12 x 10 in (300 x 250 mm) | 30.7 in (780 mm) | 16.4 in (416 mm) | 30.7 in (780 mm) | * |



** LIMITED AVAILABILITY. PLEASE SEE INJECTION MOLDED FITTING SECTION FOR OTHER AVAILABLE FITTINGS

* = PLAIN END

NOTE: ALL FITTINGS DIMENSIONS ARE FOR REFERENCE ONLY

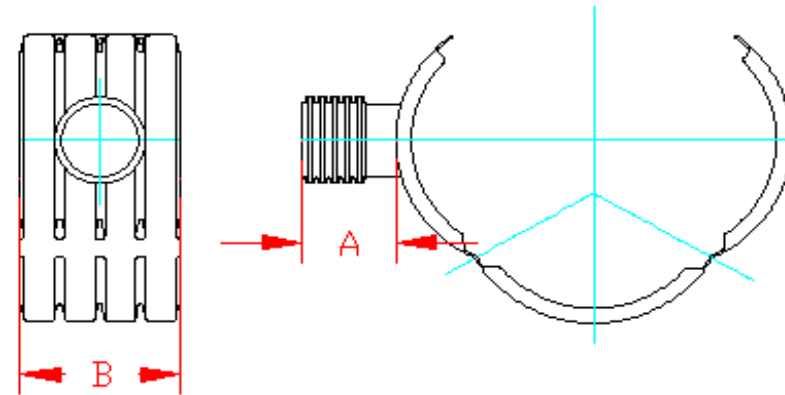
© 2021 Advanced Drainage Systems, Inc.



| | | |
|--------------|------|-----------|
| DRAWING #: | 2455 | |
| DRAWN BY: | JCB | 05.09.07 |
| APPROVED BY: | JCB | 06.28.07 |
| REVISIONS: | TJR | 1/29/2010 |
| | | |
| | | |

DUAL WALL FABRICATED REDUCING SADDLE TEE 8" - 15" DIAMETER

| PART # | PIPE SIZE | A | B |
|-----------|-----------------------------|---------------------|---------------------|
| ** 0841AN | 8 x 4 in (200 x 100 mm) | 6.4 in (163 mm) | 6.0 in (152 mm) |
| ** 0841AN | 8 x 6 in (200 x 150 mm) | 7.8 in (198 mm) | 6.0 in (152 mm) |
| ** 1040AN | 10 x 4 in (250 x 100 mm) | 6.2 in (157 mm) | 5.5 in (140 mm) |
| ** 1041AN | 10 x 6 in (250 x 150 mm) | 7.7 in (196 mm) | 11.0 in (279 mm) |
| ** 1042AN | 10 x 8 in (250 x 200 mm) | 11.0 in (279 mm) | 11.0 in (279 mm) |
| 1240AN | 12 x 4 in (300 x 100 mm) | 5.8 in (147 mm) | 7.8 in (197 mm) |
| 1241AN | 12 x 6 in (300 x 150 mm) | 7.2 in (183 mm) | 7.8 in (197 mm) |
| 1242AN | 12 x 8 in (300 x 200 mm) | 10.6 in (269 mm) | 15.8 in (400 mm) |
| 1540AN | 15 x 4 in (375 x 100 mm) | 5.7 in (145 mm) | 10.5 in (267 mm) |
| 1541AN | 15 x 6 in (375 x 150 mm) | 7.1 in (180 mm) | 10.5 in (267 mm) |
| 1542AN | 15 x 8 in (375 x 200 mm) | 10.4 in (264 mm) | 10.5 in (267 mm) |



** LIMITED AVAILABILITY. PLEASE SEE INJECTION MOLDED FITTING SECTION FOR OTHER AVAILABLE FITTINGS

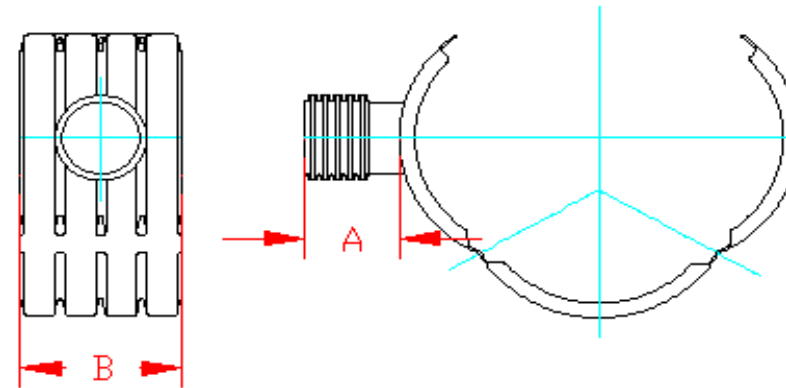
NOTE: ALL FITTINGS DIMENSIONS ARE FOR REFERENCE ONLY

© 2021 Advanced Drainage Systems, Inc.

| | | |
|--|--------------|-----------|
|  Advanced Drainage Systems, Inc. | DRAWING #: | 2460 |
| | DRAWN BY: | JCB |
| | APPROVED BY: | JCB |
| | REVISIONS: | TJR |
| | | 04.06.06 |
| | | 06.26.07 |
| | | 5/19/2010 |

DUAL WALL FABRICATED REDUCING SADDLE TEE
18" - 24" DIAMETER

| PART # | PIPE SIZE | A | B |
|--------|------------------------------|---------------------|---------------------|
| 1840AN | 18 x 4 (450 x 100 mm) | 5.4 in (137 mm) | 10.5 in (267 mm) |
| 1841AN | 18 x 6 (450 x 150 mm) | 6.8 in (173 mm) | 10.5 in (267 mm) |
| 1842AN | 18 x 8 (450 x 200 mm) | 10.2 in (259 mm) | 10.5 in (267 mm) |
| 2140AN | 21 x 4 (525 x 100 mm) | 5.1 in (130 mm) | 12.0 in (305 mm) |
| 2141AN | 21 x 6 (525 x 150 mm) | 6.5 in (165 mm) | 12.0 in (305 mm) |
| 2142AN | 21 x 8 (525 x 200 mm) | 9.9 in (251 mm) | 12.0 in (305 mm) |
| 2143AN | 21 x 10 in (525 x 250 mm) | 10.7 in (272 mm) | 12.0 in (305 mm) |
| 2440AN | 24 x 4 in (600 x 100 mm) | 5.1 in (130 mm) | 12.6 in (321 mm) |
| 2441AN | 24 x 6 in (600 x 150 mm) | 6.5 in (165 mm) | 12.6 in (321 mm) |
| 2442AN | 24 x 8 in (600 x 200 mm) | 9.9 in (251 mm) | 12.6 in (321 mm) |
| 2443AN | 24 x 10 in (600 x 250 mm) | 10.7 in (272 mm) | 12.6 in (320 mm) |



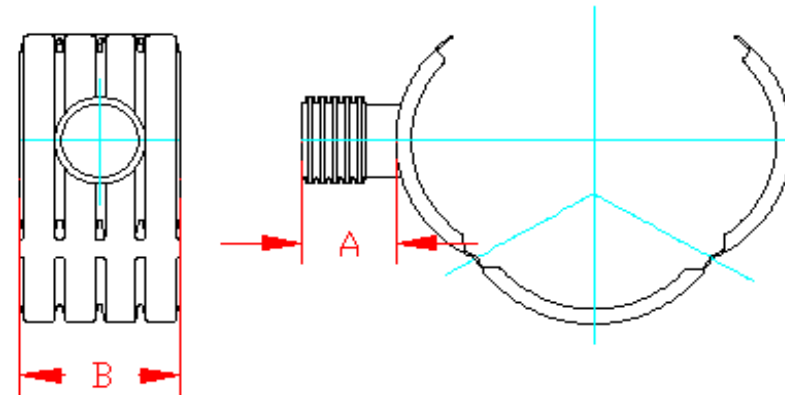
NOTE: ALL FITTINGS DIMENSIONS ARE FOR REFERENCE ONLY

© 2021 Advanced Drainage Systems, Inc.

| | | |
|---|--------------|---------------|
| ADS Advanced Drainage Systems, Inc. | DRAWING #: | 2465 |
| | DRAWN BY: | JCB 04.06.06 |
| | APPROVED BY: | JCB 06.26.07 |
| | REVISIONS: | TJR 4/28/2016 |
| | | |

DUAL WALL FABRICATED REDUCING SADDLE TEE 30" - 36" DIAMETER

| PART # | PIPE SIZE | A | B |
|--------|------------------------------|---------------------|----------------------|
| 3040AN | 30 x 4 in (750 x 100 mm) | 5.4 in (137 mm) | 16.5 in (419 mm) |
| 3041AN | 30 x 6 in (750 x 150 mm) | 6.8 in (173 mm) | 16.5 in (419 mm) |
| 3042AN | 30 x 8 in (750 x 200 mm) | 9.2 in (234 mm) | 16.5 in (419 mm) |
| 3043AN | 30 x 10 in (750 x 250 mm) | 10.0 in (254 mm) | 16.5 in (419 mm) |
| 3044AN | 30 x 12 in (750 x 300 mm) | 10.0 in (254 mm) | 16.5 in (419 mm) |
| 3045AN | 30 x 15 in (750 x 375 mm) | 13.0 in (330 mm) | 16.5 in (419 mm) |
| 3640AN | 36 x 4 in (900 x 100 mm) | 5.1 in (130 mm) | 20.8 in (528 mm) |
| 3641AN | 36 x 6 in (900 x 150 mm) | 6.5 in (165 mm) | 20.8 in (528 mm) |
| 3642AN | 36 x 8 in (900 x 200 mm) | 9.2 in (234 mm) | 20.8 in (528 mm) |
| 3643AN | 36 x 10 in (900 x 250 mm) | 9.7 in (246 mm) | 20.8 in (528 mm) |
| 3644AN | 36 x 12 in (900 x 300 mm) | 10.0 in (254 mm) | 20.8 in (528 mm) |
| 3645AN | 36 x 15 in (900 x 375 mm) | 13.0 in (330 mm) | 20.8 in (528 mm) |
| 3646AN | 36 x 18 in (900 x 450 mm) | 13.0 in (330 mm) | 41.6 in (1057 mm) |



NOTE: ALL FITTINGS DIMENSIONS ARE FOR REFERENCE ONLY

© 2021 Advanced Drainage Systems, Inc.



| | | |
|--------------|------|-----------|
| DRAWING #: | 2470 | |
| DRAWN BY: | JCB | 07.13.06 |
| APPROVED BY: | JCB | 06.26.07 |
| REVISIONS: | TJR | 5/19/2010 |
| | | |
| | | |